

5 SERIAL PORTS

Overview

Synchronous serial ports, or SPORTs, support a variety of serial data communications protocols. They can provide a direct interconnection between processors in a multiprocessor system.

All ADSP-218x family processors contain two serial ports, SPORT0 and SPORT1. These serial ports have some similarities and some differences. This chapter provides a detailed description of the SPORTs and explains the differences between the two.

Basic Description

Each SPORT has a five-pin interface:

Table 5-1. SPORT External Interface

Pin Name	Function
SCLK	Serial clock
RFS	Receive frame synchronization
TFS	Transmit frame synchronization
DR	Serial data receive
DT	Serial data transmit

Basic Description

A SPORT receives serial data on its DR input and transmits serial data on its DT output. It can receive and transmit simultaneously for full duplex operation. The data bits are synchronous to the serial clock SCLK, which is an output if the processor generates this clock or an input if the clock is generated externally. Frame synchronization signals RFS and TFS are used to indicate the start of a serial data word or stream of serial words.

Figure 5-1, shows a simplified block diagram of a single SPORT.

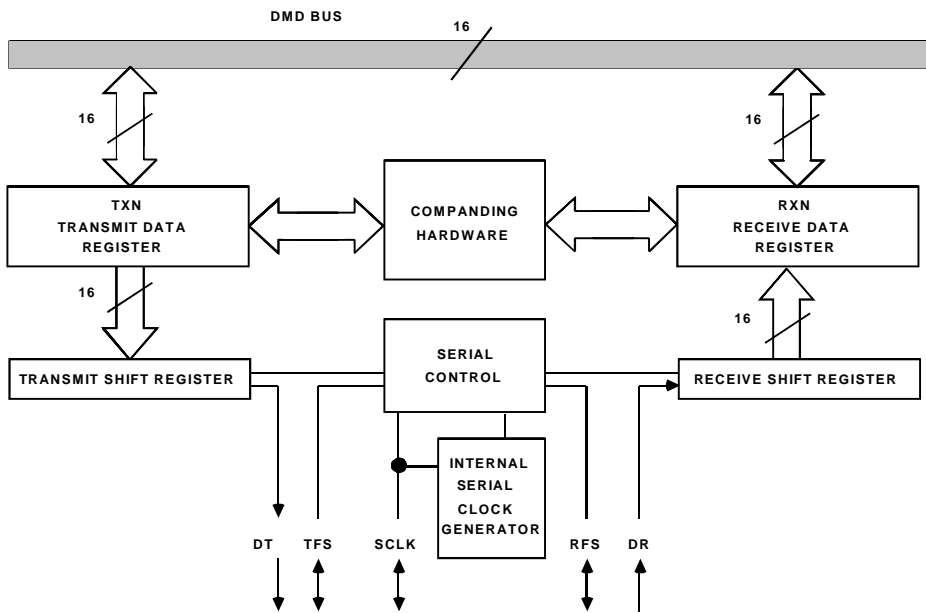


Figure 5-1. Serial Port Block Diagram

Data to be transmitted is written from an internal processor register to the SPORT's TX register via the DMD bus. This data is optionally compressed in hardware, then automatically transferred to the Transmit Shift register. The bits in the Shift register are shifted out on the SPORT's DT pin, MSB first, synchronous to the serial clock. The receive portion of the SPORT accepts data from the DR pin, synchronous to the serial clock. When an entire word is received, the data is optionally expanded, then automatically transferred to the SPORT's RX register, where it is available to the processor.

The following is a list of SPORT characteristics. Many of the SPORT characteristics are configurable to allow flexibility in serial communication.

- *Bidirectional*—Each SPORT has independent transmit and receive sections.
- *Double-buffered*—Each SPORT section (both receive and transmit) has a data register for transferring data words to and from other parts of the processor and a register for shifting data in or out. The double-buffering provides additional time to service the SPORT.
- *Clocking*—Each SPORT can use an external serial clock or generate its own in a wide range of frequencies down to 0 Hz. [For more information, see “Serial Clocks” on page 5-11.](#)
- *Word length*—Each SPORT supports serial data word lengths from three to sixteen bits. [For more information, see “Word Length” on page 5-13.](#)
- *Framing*—Each SPORT section (receive and transmit) can operate with or without frame synchronization signals for each data word; with internally-generated or externally-generated frame signals; with active high or active low frame signals; with either of two pulse widths and frame signal timing. [For more information, see “Word Framing Options” on page 5-14.](#)

Basic Description

- *Companding in hardware*—Each SPORT can perform A-law and μ -law companding according to ITU recommendation G.711. For more information, see “Companding and Data Format” on page 5-28.
- *Autobuffering with single-cycle overhead*—Using the DAGs, each SPORT can automatically receive and/or transmit an entire circular buffer of data with an overhead of only one cycle per data word. Transfers between the SPORT and the circular buffer are automatic in this mode and do not require additional programming. For more information, see “Autobuffering” on page 5-32.
- *Interrupts*—Each SPORT section (receive and transmit) generates an interrupt upon completing a data word transfer, or after transferring an entire buffer if autobuffering is used. For more information, see “SPORT Timing Considerations” on page 5-44.
- *Multichannel capability*—SPORT0 can receive and transmit data selectively from channels of a serial bitstream that is time-division multiplexed into 24 or 32 channels. This is especially useful for T1 interfaces or as a network communication scheme for multiple processors. For more information, see “Multichannel Function” on page 5-38.
- *Alternate configuration*—SPORT1 has a multiplexed functionality. It can function as a serial port or as five separate signals: $\overline{\text{TRQ0}}$, $\overline{\text{TRQ1}}$, FI, F0, and SCLK1. SPORT1 can alternately be configured as two external interrupt inputs, $\overline{\text{TRQ0}}$ and $\overline{\text{TRQ1}}$; an input pin, FI; and an output pin, F0. In this alternate configuration, the serial clock (SCLK1) can still be generated internally by the DSP core for use as a clock source for an external peripheral. For more information, see “SPORT Enable” on page 5-10.

Interrupts

Each SPORT has a receive interrupt and a transmit interrupt. The priority of these interrupts is shown in [Table 5-2](#).

Table 5-2. SPORT Interrupt Priorities

Priority	SPORT Receive and Transmit Interrupts
Highest	SPORT0 Transmit SPORT0 Receive SPORT1 Transmit
Lowest	SPORT1 Receive

For complete details about how interrupts are handled, see “[Interrupts](#)” in [Chapter 3, “Program Sequencer.”](#)


Operation

Writing to a SPORT’s TX register readies the SPORT for transmission; the TFS signal initiates the transmission of serial data. Once transmission has begun, each value written to the TX register is transferred to the internal transmit shift register and subsequently the bits are sent, MSB first. Each bit is shifted out on the rising edge of SCLK.

After the first bit (MSB) of a word has been transferred, the SPORT generates the transmit interrupt. The TX register is now available for the next data word, even though the transmission of the first word is ongoing.

SPORT Programming

In the receiving section, bits accumulate as they are received in an internal receive register. When a complete word has been received, it is written to the RX register and the receive interrupt for that SPORT is generated.

 Interrupts are generated differently if autobuffering is enabled. For more information, see “Autobuffering” on page 5-32.

SPORT Programming

To the programmer, the SPORT can be viewed as two functional sections. The configuration section is a block of control registers (mapped to Data Memory) that the program must initialize before using the SPORTs. The data section is a register file used to transmit and receive values through the SPORT.

Configuration

Sport configuration is accomplished by setting bit and field values in configuration registers. These registers are memory mapped in Data Memory space. SPORT0 configuration registers occupy locations 0x3FF3 to 0x3FFA; SPORT1 configuration registers occupy locations 0x3FEF to 0x3FF2. The contents of these registers are summarized in [Table 5-3](#) and in the register summary in [Appendix B, “Control/Status Registers.”](#) The effects of the various settings are described at length in the sections that follow.

Table 5-3. SPORT Configuration Registers

Address	Contents
0x3FFA	SPORT0 multichannel receive word enables (31-16)
0x3FF9	SPORT0 multichannel receive word enables (15-0)
0x3FF8	SPORT0 multichannel transmit word enables (31-16)

Table 5-3. SPORT Configuration Registers (Cont'd)

Address	Contents
0x3FF7	SPORT0 multichannel transmit word enables (15-0)
0x3FF6	SPORT0 control register Multichannel mode controls Serial clock source Frame synchronization controls Companding mode Serial word length
0x3FF5	SPORT0 serial clock divide modulus (determines frequency)
0x3FF4	SPORT0 receive frame sync divide modulus (determines frequency)
0x3FF3	SPORT0 autobuffer control register
0x3FF2	SPORT1 control register Flag output value Serial clock source Frame synchronization controls Companding mode Serial word length
0x3FF1	SPORT1 serial clock divide modulus (determines frequency)
0x3FF0	SPORT1 receive frame sync divide modulus (determines frequency)
0x3FEF	SPORT1 autobuffer control register

SPORT Programming

There are two ways to initialize or to change values in SPORT configuration registers: write a register to an immediate address (instruction type 3) or write immediate data to an indirect address (instruction type 2). With either method, it is important to configure the serial port before enabling it.

The first method of programming configuration registers requires no setup of DAG registers but does require two instructions to perform the write. For example:

```
AX0 = 0x6B27;          /* the contents of AX0 are written */
DM(0x3FF2) = AX0;     /* to the address 0x3FF2 */

AX0 = 0;              /* the contents of AX0 are written */
DM(0x3FF3) = AX0;     /* to address 0x3FF3 */
```

In the second method, the DAG (I) index register must contain the Data Memory address of the configuration register to be written. The modify (M) register, which updates the I register after the write, must also contain a valid value. And the length (L) register that has the same number as the I register must be initialized to zero so that the circular buffer capability is not active. For example:

```
AX1 = 0;
IO = 0x3FF2;
MO = 1;
LO = 0;
AX0 = 0x6B27;
DM(IO,MO) = AX0;     /* the constant 0x6B27 is written */
                    /* from ALU register AX0 to */
                    /* address pointed to by IO; */
                    /* pointer then modified by MO */
DM(IO,MO) = AX1;     /* address 0x3FF3 is set to 0 */
```

Either method works. This method is, however, more prone to error because the registers are written indirectly. You must make sure that the I register contains the intended value before the write.

Receiving and Transmitting Data

Each SPORT has a receive register and a transmit register. These registers are not memory mapped, but are identified by assembler mnemonics. The transmit registers are named `TX0` and `TX1`, for `SPORT0` and `SPORT1` respectively. Receive registers are named `RX0` and `RX1` for `SPORT0` and `SPORT1` respectively. These registers can be accessed at any time during program execution using one of the following: a Data Memory access with immediate address, load of a non-data register with immediate data, or register-to-register move (instruction types 3, 7, and 17, respectively). For example, the following instruction would ready `SPORT1` to transmit a serial value, assuming `SPORT1` is configured and enabled:

```
TX1 = AX0;          /* the contents of AX0 are transmitted
                    on SPORT1 */
```

The following instruction would access a serial value received on `SPORT0`:

```
AY0 = RX0;          /* the contents of SPORT0 receive register
                    is transferred to AY0 */
```

Because the SPORTs are interrupt driven, these instructions would typically be executed within a interrupt service routine in response to a SPORT interrupt.

SPORT Enable

SPORTs are enabled through bits in the System Control register, as shown in [Figure 5-2](#). This register is mapped to Data Memory address 0x3FFF. Bit 12 enables SPORT0 if it is a 1, and bit 11 enables SPORT1 if it is a 1. Both of these bits are cleared at reset, disabling both SPORTs.

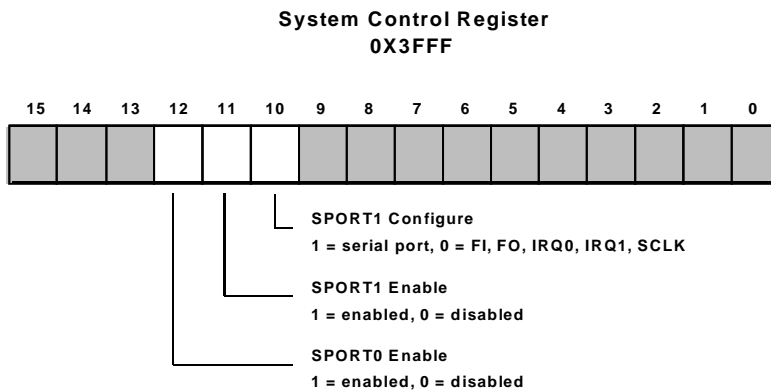


Figure 5-2. SPORT Enables in the System Control Register

Bit 10 of the System Control register determines the configuration of SPORT1, either as a serial port or as interrupts and flags, according to [Table 5-4](#). If bit 10 is a 1, SPORT1 operates as a serial port; if it is a 0, the alternate functions are in effect (and bit 11 is ignored). At reset, bit 10 is a 1, so SPORT1 functions as a serial port.

Table 5-4. SPORT1 Alternate Configuration

Pin Name	Alternate Name	Alternate Function
RFS1	$\overline{\text{IRQ0}}$	External interrupt 0
TFS1	$\overline{\text{IRQ1}}$	External interrupt 1

Table 5-4. SPORT1 Alternate Configuration (Cont'd)

Pin Name	Alternate Name	Alternate Function
DR1	FI	Flag input
DT1	FO	Flag output
SCLK1	Same	Same

Serial Clocks

Each SPORT operates on its own serial clock signal. The serial clock (SCLK) can be internally generated or received from an external source.

The ISCLK bit, bit 14 in either the SPORT0 or SPORT1 Control register, determines the SCLK source for the SPORT (see [Figure 5-3 on page 5-12](#)). If this bit is a 1, the processor generates the SCLK signal; if it is a 0, the processor expects to receive an external clock signal on SCLK. At reset, ISCLK is cleared, so both serial ports are in the external clock mode. When ISCLK is set, internal generation of the SCLK signal begins on the next instruction cycle, whether or not the corresponding SPORT is enabled. As a result, you can use unused SPORTs as timers, counters, or clock dividers if you wish.

The maximum frequency of an externally generated clock can be deduced from $1/t_{SCLK}$, as specified in the data sheet for the processor. The frequency of an internally generated clock is a function of the processor clock frequency (as seen at the CLKOUT pin) and the value of the 16-bit serial clock divide modulus register SCLKDIV (0x3FF5 for SPORT0 and 0x3FF1 for SPORT1).

$$\text{SCLK frequency} = \frac{\text{CLKOUT frequency}}{2 \times (\text{SCLKDIV} + 1)}$$

Serial Clocks

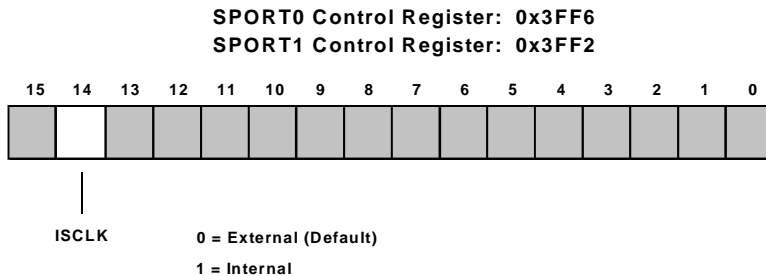


Figure 5-3. ISCLK Bit in SPORT Control Register

Table 5-5 shows how some common SCLK frequencies correspond to values of SCLKDIV. The values assume a CLKOUT frequency of 73.728 MHz.

Table 5-5. Common Serial Clock Frequencies (Internally Generated)

SCLKDIV	SCLK Frequency
30719	1200 Hz
3839	9600 Hz
575	64 kHz
23	1.536 MHz
17	2.048 MHz
5	6.144 MHz

If the value of SCLKDIV is changed while the internal serial clock is enabled, the change in SCLK frequency takes effect at the start of the next rising edge of SCLK.

Note that the serial clock of SPORT1 (the `SCLK` pin) still functions when the port is being used in its alternate configuration (as `F0`, `F1` and two interrupts). In this case, `SCLK` is unresponsive to an external clock, but can internally generate a clock signal as described above.

Word Length

Each SPORT independently handles words of 3 to 16 bits. The data is right-justified in the SPORT data registers if it is fewer than 16 bits long. The serial word length (`SLEN`) field in each SPORT Control register determines the word length according to this formula:

$$\text{Serial Word Length} = \text{SLEN} + 1$$

For example, if you are using 8-bit serial words, set `SLEN` to 7 (0111 binary). The `SLEN` field is comprised of bits 3-0 in the SPORT Control register (0x3FF6 for SPORT0 and 0x3FF2 for SPORT1). See [Figure 5-4](#).

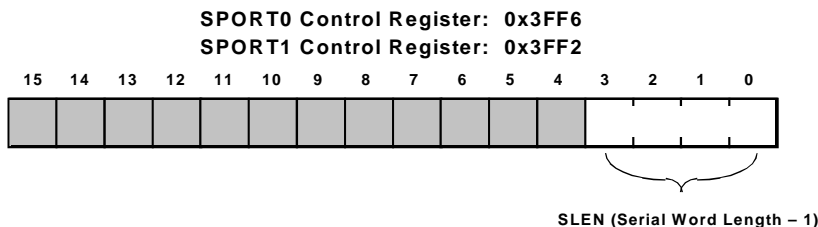


Figure 5-4. `SLEN` Field in SPORT Control Register

Do not set `SLEN` to zero or one; these `SLEN` values are not permitted.

Word Framing Options

Framing signals identify the beginning of each serial word transfer. The SPORTs have many ways of handling framing signals. Transmit and receive framing are independent of each other. All frame sync signals are sampled on the falling edge of the serial clock (SCLK).

Frame Synchronization

Word framing signals are optional. If the receive frame sync required (RFSR) or transmit frame sync required (TFSR) bit in the SPORT Control register is a 0, a frame sync signal is necessary to initiate communications but is ignored after the first bit is transferred. Words are then transferred continuously, unframed. If the RFSR or TFSR bit is a 1, a frame sync signal is required at the start of every data word.

The RFSR bit is bit 13 in the SPORT Control register (0x3FF6 for SPORT0 and 0x3FF2 for SPORT1), and the TFSR bit is bit 11. These bits are both cleared at reset, so that communication in both directions on both serial ports is unframed (see [Figure 5-5](#)).

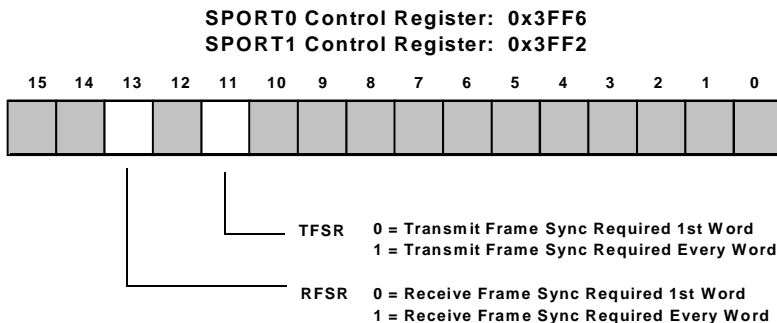


Figure 5-5. TFSR and RFSR Bits in SPORT Control Register

See “[Configuration Example](#)” on page 5-19 for examples of frame sync timing.

Frame Synchronization Signal Source

The processor can generate frame synchronization signals internally or receive them from an external source. The sources for transmit frame syncs and receive frames syncs can be set independently. If the internal receive frame sync (IRFS) bit or internal transmit frame sync (ITFS) bit in the SPORT Control register is a 0, the processor expects to receive a signal on its frame sync pin (RFS or TFS). If the IRFS or ITFS bit is a 1, the processor generates its own frame sync signal and drives the RFS or TFS pin as an output.

The IRFS bit is bit 8 in the SPORT Control register (0x3FF6 for SPORT0 and 0x3FF2 for SPORT1), and the ITFS bit is bit 9. Both of these bits are cleared at reset, that is, both serial ports require externally generated frame sync signals for both transmitting and receiving data (see [Figure 5-6](#)).

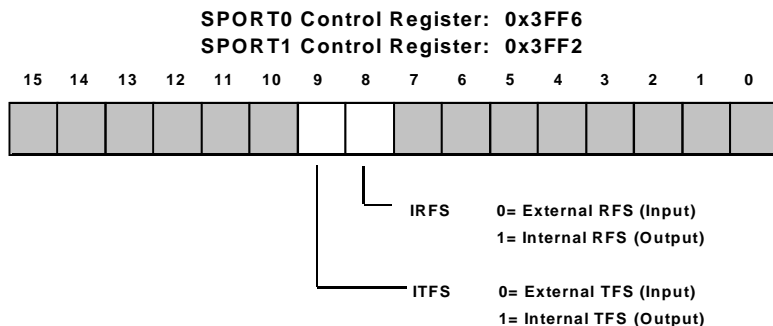


Figure 5-6. ITFS and IRFS Bits in SPORT Control Register

If frame sync signals are generated externally, then RFS and TFS are inputs, and the external source controls data transmission and reception. The SPORT will wait for a transmit frame sync before transmitting data and for a receive frame sync before receiving data. If frame sync signals are generated internally, however, then RFS and TFS are outputs, and the processor controls the timing of data operations.

Word Framing Options

The SPORT outputs an internally generated transmit framing signal after data is loaded into the transmit (TX0 or TX1) register, at the time needed to ensure continuous data transmission, after the last bit of the current word is transmitted (the exact time depends on the framing mode being used; see “[Normal and Alternate Framing Modes](#)” on page 5-17 in the next section). The occurrence of the transmit frame sync is a result of the availability of data in the transmit register.

With an internally generated receive framing signal, the processor controls the timing of the receive data. The external data source must provide data to the serial port synchronized to the receive framing signal (the timing depends on the framing mode being used; see “[Normal and Alternate Framing Modes](#)” on page 5-17 in the next section). The processor generates RFS periodically on a multiple of SCLK cycles, based on the value of the 16-bit receive frame sync divide modulus register, RFSDIV (0x3FF4 for SPORT0 and 0x3FF0 for SPORT1):

$$\text{Number of SCLK cycles between RFS assertions} = \text{RFSDIV} + 1$$

For example, to allow 256 SCLK cycles between RFS assertions, set RFSDIV to 255 (0xFF).

Values of RFSDIV+1 that are less than the word length are not recommended.

Note that frame sync signals may be generated internally even when SCLK is supplied externally. This provides a way to divide external clocks for any purpose.

You can also use one frame sync to generate a single signal for both transmit and receive data. For example, an internally generated RFS (output) could be connected to an externally generated TFS (input) on the same SPORT for simultaneous transmit and receive operations. This interconnection is especially useful for combo coder/decoder (codec) interfaces.

Normal and Alternate Framing Modes

In the normal framing mode, the framing signal is checked at the falling edge of SCLK. If the framing signal is asserted, received data is latched on the *next falling* edge of SCLK and transmitted data is driven on the *next rising* edge of SCLK. The framing signal is not checked again until the word has been transmitted or received. If data transmission or reception is continuous, i.e., the last bit of one word is followed without a break by the first bit of the next word, then the framing signal should occur in the same SCLK cycle as the last bit of each word.

In the alternate framing mode, the framing signal should be asserted in the same SCLK cycle as the first bit of a word. Received data bits are latched on the falling edge of SCLK and transmitted bits are driven on the rising edge of SCLK, but the framing signal is checked only on the first bit. Internally generated frame sync signals remain asserted for the length of the serial word. Externally generated frame sync signals are only checked during the first bit time.

Framing modes for receiving and transmitting data are independent. If the receive frame sync width (RFSW) bit or transmit frame sync width (TFSW) bit in the SPORT Control register is a 0, normal framing is enabled. If the RFSW or TFSW bit is a 1, alternate framing is used. The RFSW bit is bit 12 in the SPORT Control register (0x3FF6 for SPORT0 and 0x3FF2 for SPORT1), and the TFSW bit is bit 10. These bits are both cleared at reset, so that normal framing in both directions is enabled. (see [Figure 5-7](#)).

Word Framing Options

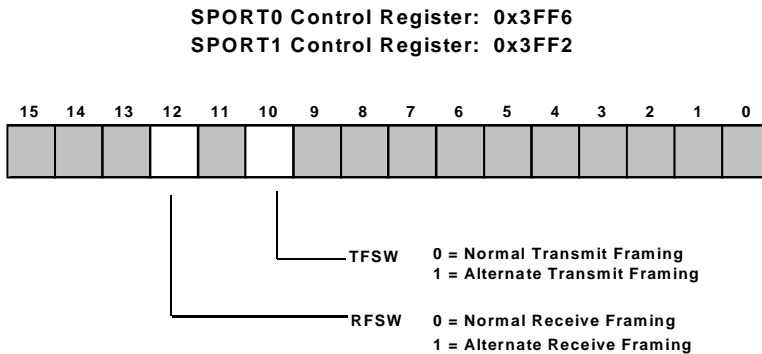


Figure 5-7. TFSW and RFSW Bits in SPORT Control Register

For an example of normal and alternate framing, see [“Configuration Example”](#) on page 5-19.

Active High or Active Low

Framing sync signals for receiving and transmitting data can be either active high or active low and are configured independently. If the invert RFS (INVRFS) bit or invert TFS (INVTFS) bit in the SPORT Control register is a 0, the corresponding frame sync signal is active high. If the INVRFS or INVTFS bit is a 1, the frame sync signal is active low. These controls apply regardless of the source of frame sync signals; they either control the polarity of internally generated signals or determine how externally generated signals are interpreted.

The INVRFS bit is bit 6 in the SPORT Control register (0x3FF6 for SPORT0 and 0x3FF2 for SPORT1), and the INVTFS bit is bit 7. These bits are both cleared at reset, so that frame sync signals are active high. [Figure 5-8](#) shows the INVTFS and INVRFS bits in the SPORT Control register.

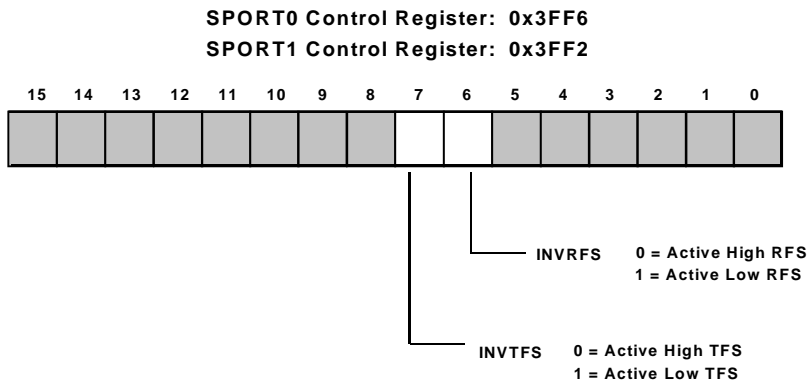


Figure 5-8. INVTFS and INVRFS Bits in SPORT Control Register

Configuration Example

The example code in [Listing 5-1](#) illustrates how to configure the SPORTs. This example configures both SPORT0 and SPORT1. SPORT0 is configured for an internally generated serial clock (*SCLK*), internally generated frame synchronization, and μ -law companded 8-bit data. This is a typical setup for communication with a combination codec. SPORT1 is configured for an externally generated serial clock, externally generated frame synchronization, non-companded 16-bit data and autobuffering. This setup could be used to transfer data between processors in a multiprocessor system.

Only the needed memory mapped registers are initialized. Notice that the SPORTs are configured before they are enabled and that any extraneous latched interrupts are cleared before interrupts are enabled.

Configuration Example

Listing 5-1. Example SPORT Configuration Code

```
/* — SPORT INITIALIZATION CODE — */

/* SPORT1 inits */
AX0 = 0x0017;
DM(0x3FEF) = AX0; /* enable SPORT1 autobuffering
                  TX autobuffer uses I0 and M0
                  RX autobuffer uses I1 and M1 */

AX0 = 0x280F;
DM(0x3FF2) = AX0; /* external serial clock, RFS and TFS
                  RFS and TFS are required, normal
                  framing, no companding and 16 bits */

/* SPORT0 inits */
/* Assumes a CLKOUT of 75.728 MHz.
   Internally generated SCLK will be
   2.048 MHz, and framing sync of 8 kHz. */

AX0 = 255;
DM(0x3FF4) = AX0; /* RFSDIV = 256, 256 SCLKs between
                  frame syncs: 8 kHz framing */

AX0 = 17;
DM(0x3FF5) = AX0; /* SCLK = 2.048 MHz */
AX0 = 0x6B27;
DM(0x3FF6) = AX0; /* internal SCLK, RFS and TFS
                  normal framing, mu-law companding
                  8 bit words */

/* SPORT ENABLE */
IFC = 0x1E; /* clear any extraneous SPORT interrupts */
ICNTL = 0; /* interrupt nesting disabled */
AX0 = 0x1C1F; /* both SPORTs enabled, BWAIT and */
DM(0x3FFF) = AX0; /* PWAIT left as default */
IMASK = 0x1E; /* SPORT interrupts are enabled */

/* — END SPORT INITIALIZATIONS — */
```

Timing Examples

This section contains examples of some combinations of the various framing options. The timing diagrams show relationships between signals, but are not scaled to show the actual timing parameters of the processor. Consult the appropriate DSP data sheet for actual timing parameters and values.

The examples assume a word length of four bits, that is, $SLEN = 3$. Framing signals are active high, that is, $INVRFS = 0$ and $INVTFS = 0$.

The value of the SPORT Control register (0x3FF6 for SPORT0 and 0x3FF2 for SPORT1) is shown for each example. In these binary values, 1 = high, 0 = low, and X can be either. The underlined bit values are the bits that set the modes illustrated in the example.

Figures 5-9 through 5-14 show framing for receiving data. In Figure 5-9 and Figure 5-10, the normal framing mode is shown for noncontinuous data (any number of SCLK cycles between words) and continuous data (no SCLK cycles between words). Figure 5-11 and Figure 5-12 show noncontinuous and continuous receiving in the alternate framing mode. In all four figures, both the input timing requirement for an externally generated frame sync and the output timing characteristic of an internally generated frame sync are shown. Note that the output meets the input timing requirement; thus, on processors with two SPORTs, one SPORT could provide RFS for the other.

Timing Examples

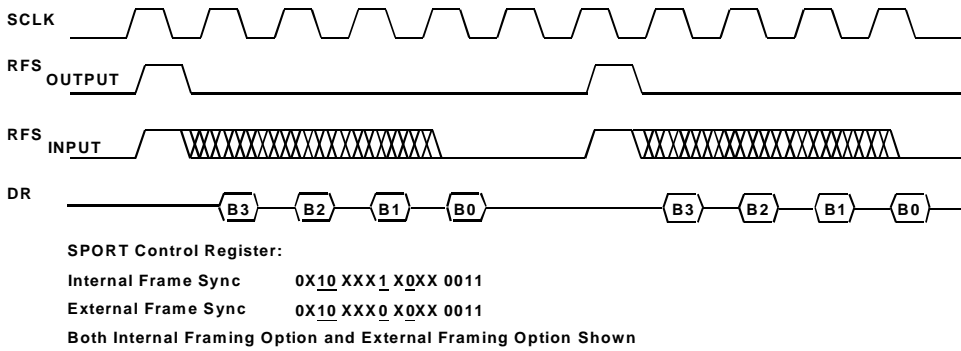


Figure 5-9. SPORT Receive, Normal Framing

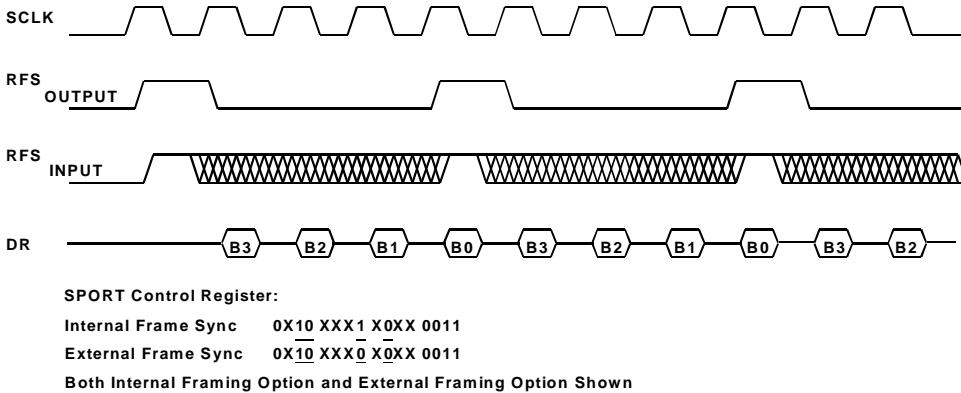


Figure 5-10. SPORT Continuous Receive, Normal Framing

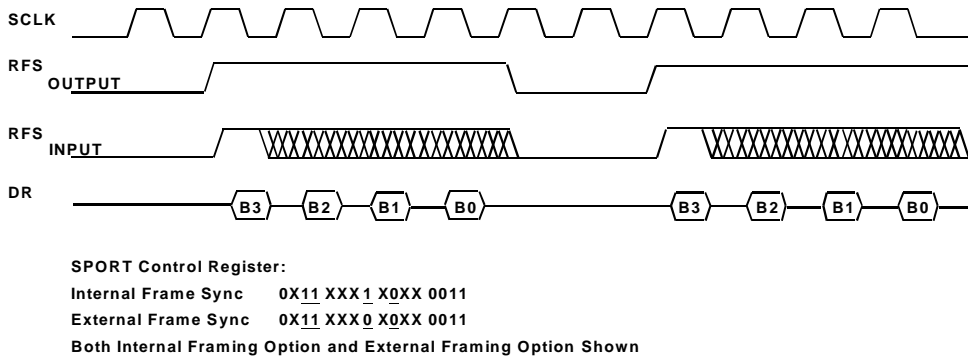


Figure 5-11. SPORT Receive, Alternate Framing

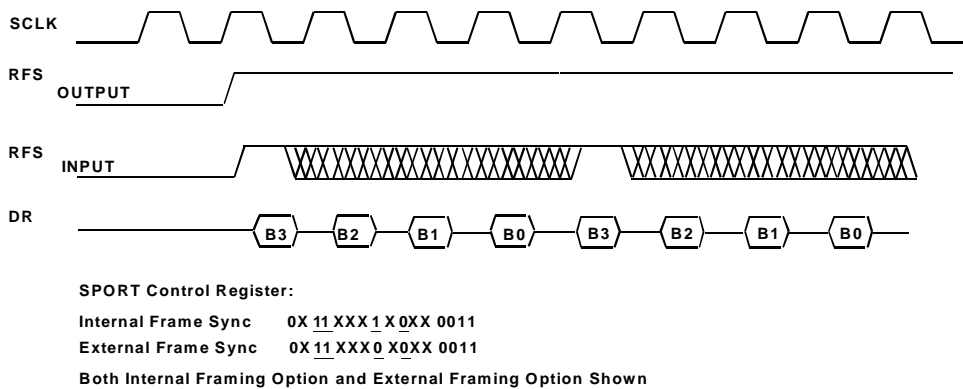


Figure 5-12. SPORT Continuous Receive, Alternate Framing

Timing Examples

Figure 5-13 and Figure 5-14 show the receive operation with normal framing and alternate framing, respectively, in the unframed mode. There is a single the frame sync signal that occurs only at the start of the first word, either one SCLK before the first bit (normal) or at the same time as the first bit (alternate). This mode is appropriate for multiword bursts (continuous reception).

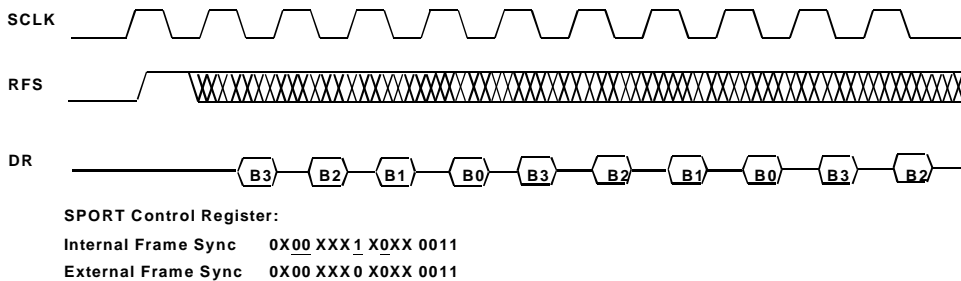


Figure 5-13. SPORT Receive, Unframed Mode, Normal Framing

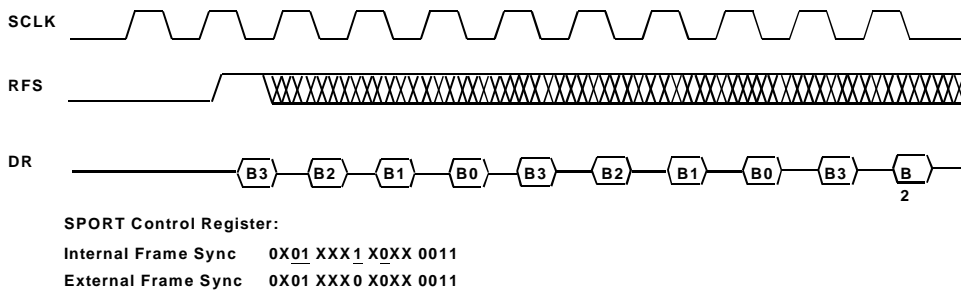


Figure 5-14. SPORT Receive, Unframed Mode, Alternate Framing

Figures 5-15 through 5-20 show framing for transmitting data and are very similar to Figures 5-9 to 5-14. In Figure 5-15 and Figure 5-16, the normal framing mode is shown for noncontinuous data and continuous data. Figure 5-17 and Figure 5-18 show noncontinuous and continuous transmission in the alternate framing mode. As with receive timing, the TFS output meets the TFS input timing requirement.

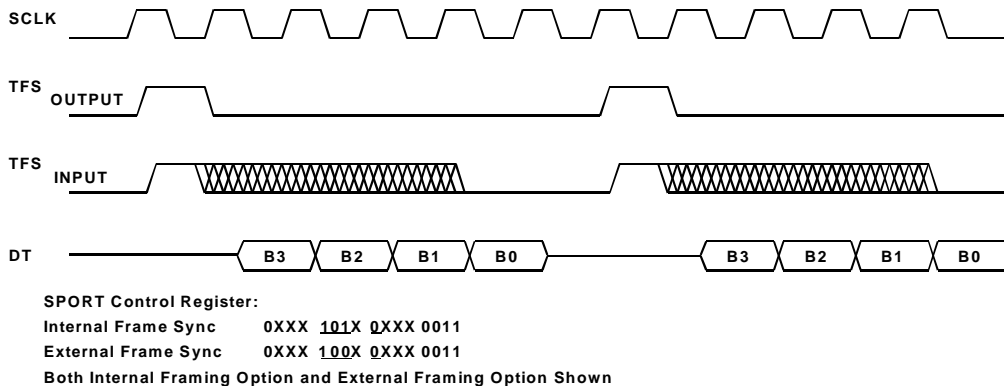


Figure 5-15. SPORT Transmit, Normal Framing

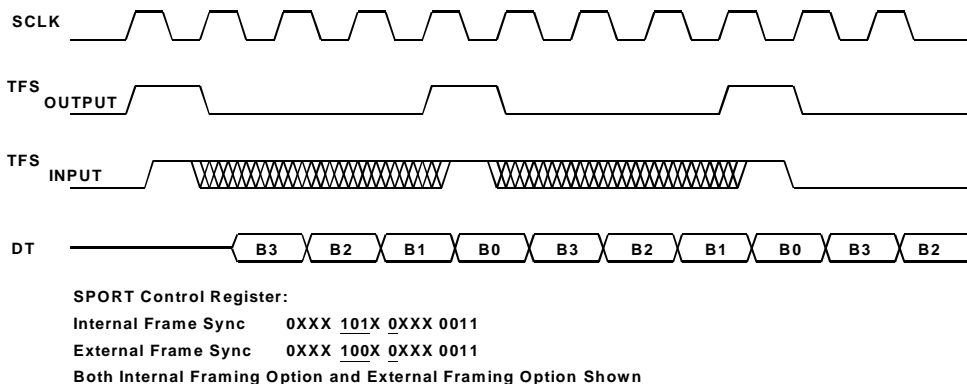


Figure 5-16. SPORT Continuous Transmit, Normal Framing

Timing Examples

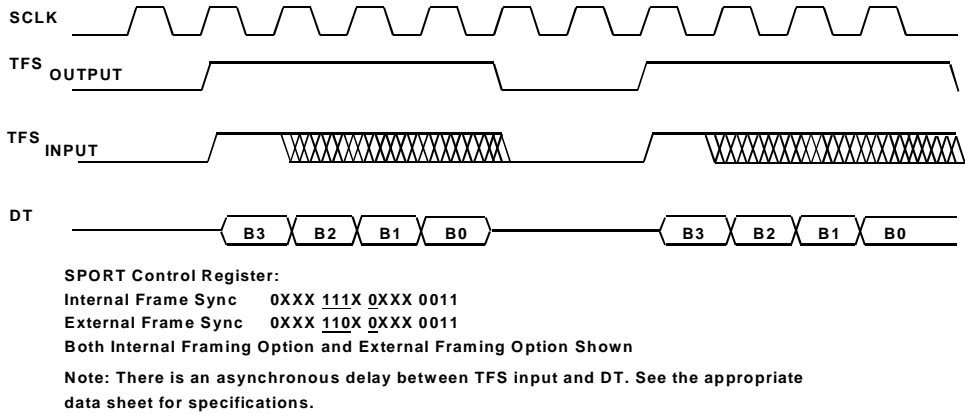


Figure 5-17. SPORT Transmit, Alternate Framing

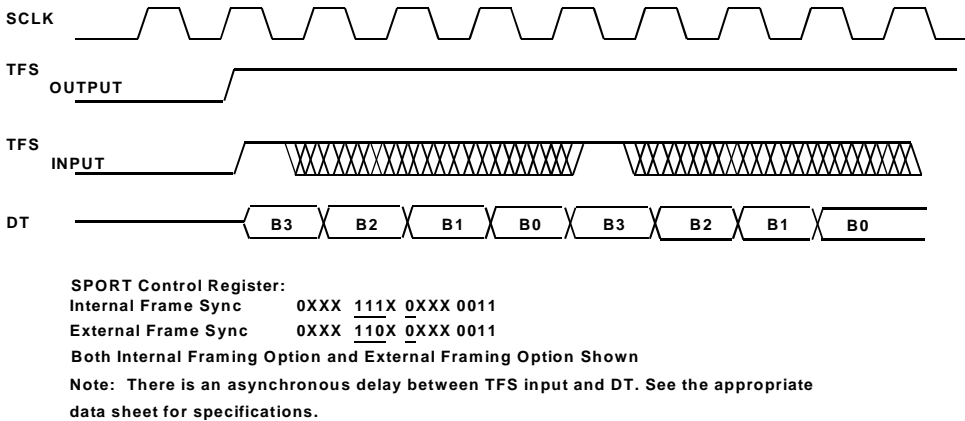


Figure 5-18. SPORT Continuous Transmit, Alternate Framing

Figures 5-19 and 5-20 show the transmit operation with normal framing and alternate framing, respectively, in the unframed mode. There is a single the frame sync signal that occurs only at the start of the first word, either one SCLK before the first bit (normal) or at the same time as the first bit (alternate).

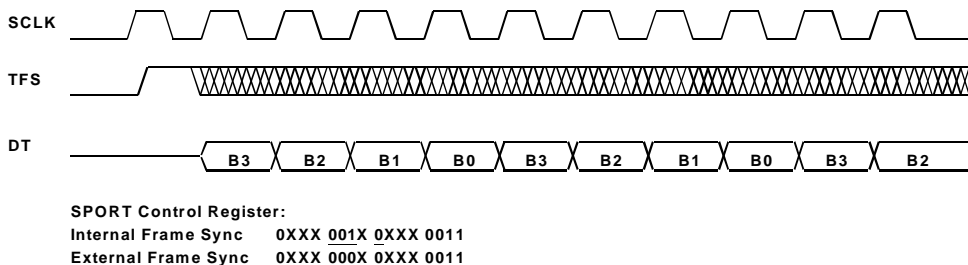


Figure 5-19. SPORT Transmit, Unframed Mode, Normal Framing

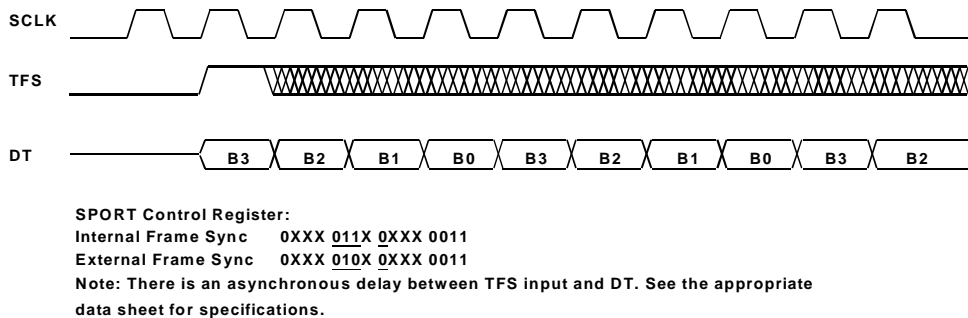


Figure 5-20. SPORT Transmit, Unframed Mode, Alternate Framing

Companding and Data Format

Companding (a contraction of COMpressing and exPANDING) is the process of logarithmically encoding and decoding data to minimize the number of bits that must be sent. Both SPORTs share the companding hardware; one expansion and one compression operation can occur in each processor cycle. In the event of contention, SPORT0 has priority.

The ADSP-218x family of processors supports both of the widely used algorithms for companding: A-law and μ -law. The processor compands data according to the ITU G.711 recommendation. The type of companding can be selected independently for each SPORT.

If companding is not enabled, there are two formats available for received data words of fewer than 16 bits: one that fills unused MSBs with zeros, and another that sign-extends the MSB into the unused bits.

The type of companding, as well as the non-companding data format, are controlled by the `DTYPE` field (bits 5-4) in the SPORT Control register (0x3FF6 for SPORT0 and 0x3FF2 for SPORT1) as shown in [Figure 5-21](#).

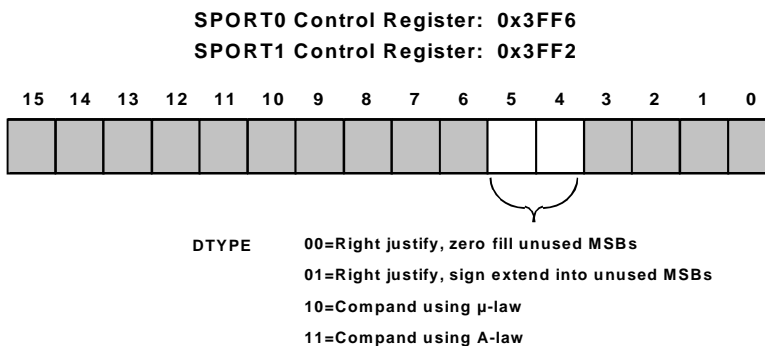


Figure 5-21. DTYPE Field in SPORT Control Register

When companding is enabled, valid data in the `RX0` or `RX1` register is the right-justified, sign-extended, expanded value of the eight LSBs received. Likewise, a write to `TX0` or `TX1` causes the 16-bit value to be compressed to eight LSBs (sign-extended to the width of the transmit word) before being written to the internal transmit register. If the magnitude of the 16-bit value is greater than the 13-bit A-law or 14-bit μ -law maximum, the value is automatically compressed to the maximum positive or negative value.

Companding Operation Example

With hardware companding, interfacing to a codec requires little additional programming effort. See the codec hardware interfacing example in the last section of this chapter.

Here is a typical sequence of operations for transmitting companded data:

- Write data to the `TXn` register
- The value in `TXn` is compressed
- The compressed value is written back to `TXn`
- After the frame sync signal has occurred (if required), `TXn` is written to the internal transmit register and the bits are sent, MSB first.

As soon as the SPORT has started to send the second bit of the current word, `TXn` can be written with the next word, even though transmission of the first is not complete. After the MSB has been transferred, the SPORT generates the transmit interrupt to indicate that `TXn` is ready for the next data word. If the framing signal is being provided externally, the next word must be written to `TXn` early enough to allow for compression before the next framing signal arrives.

Companding and Data Format

Here is a typical sequence of operations for receiving companded data:

- Bits accumulate as received in the internal receive register
- When a complete word is received, it is written to RXn
- The value in RXn is expanded
- The expanded value is written back to RXn

The receive interrupt for that SPORT is then generated.

Contention for Companding Hardware

Since both SPORTs share the companding hardware, only one compression and one expansion operation can take place during a single machine cycle. If contention arises, such as when two expansions need to occur in the same cycle, SPORT0 has priority, while SPORT1 is forced to wait one cycle.

The effects of contention, however, are usually small. The instruction set does not support loading both $TX0$ and $TX1$ in the same cycle; consequently these operations will be naturally out of phase for contention in many cases. The overhead cycle for the receive operation occurs prior to the receive interrupt and does not increase the time needed to service the interrupt, although it does affect the latency prior to receiving the interrupt.

Companding Internal Data

Because the values in the RX and TX registers are actually companded in place, it is possible to use the companding hardware internally, without any transmission or reception at all and without enabling the serial port. This operation can be used for debugging or data conversion and requires a single cycle of overhead.

To compress data, enable companding and then:

1. Write data to TXn (compression is calculated).
2. Wait for one cycle (TXn is written with compressed value)
3. Read TXn (it returns the 8-bit compressed data)

The code might look like this:

```
TX0 = AX0;      /* linear data written to transmit register */
NOP;           /* any instruction */
AX1 = TX0;      /* compressed data transferred to AX1 */
```

Use the same procedure to expand data, but use RXn instead of TXn.

```
RX0 = AX0;      /* compressed data written to receive
                register */
NOP;           /* any instruction */
AX1 = RX0;      /* expanded - linear value transferred to
                AX1 */
```

Autobuffering

In normal operation, a SPORT generates an interrupt when it has received or has started to transmit a data word. Autobuffering provides a mechanism for receiving or transmitting an entire block of serial data before an interrupt is generated. Service routines can operate on the entire block of data, rather than on a single word, reducing overhead significantly. Autobuffering is available on both SPORT0 and SPORT1.

Autobuffering uses the circular buffer addressing capability of the DAGs. With autobuffering enabled, each serial data word is transferred (or if multichannel operation is enabled, each active word is transferred) to or from Data Memory in a single overhead cycle. (Autobuffering to Program Memory is not supported.) This overhead cycle occurs independently of the instructions being executed and effectively suspends execution for one cycle (or more, if wait states are required) when it happens. No interrupt is generated for these individual data word transfers.

The autobuffer transfer cannot be duplicated by any instruction. However, an equivalent assembly language instruction would be:

$$\begin{array}{l} \text{DM(I, M)} = \text{RX0} \\ \text{or} \\ \text{TX0} = \text{DM(I, M)} \end{array} \qquad \textit{Equivalent Instructions Only}$$

The I and M registers used in the transfer are selected by fields in the SPORT's Autobuffer Control register.

The processor waits for the current instruction to finish before inserting the overhead cycle. A delay in the autobuffer transfer occurs if the transfer is required during an instruction executing in multiple cycles (for wait states, for example). If the transfer is required when the processor is waiting in an IDLE state, the transfer is executed and the processor returns to IDLE.

When a data word transfer causes the circular buffer pointer to wrap around, the SPORT interrupt is generated. The receive interrupt occurs after the complete buffer has been received. The transmit interrupt occurs when the last word is loaded into TX_n, prior to transmission.

Aside from the completion of an instruction requiring multiple cycles and IDMA and BDMA cycles, the automatic transfer of individual data words has the highest priority of any operation short of $\overline{\text{RESET}}$, including all interrupts. (For more information on the priority chain hierarchy of the ADSP-218x family, please see [“Priority Chain” in Chapter 9, “DMA Ports.”](#)) Thus, it is possible for an autobuffer transfer to increase the latency of an interrupt response if the interrupt happens to coincide with the transfer. Up to four autobuffered transfers can occur; in the case that two or more are needed in the same cycle, they have the following priority, which is the same as the SPORT interrupt priority:

<i>Highest</i>	SPORT0 Transmit
	SPORT0 Receive
	SPORT1 Transmit
<i>Lowest</i>	SPORT1 Receive

In the worst case that all four autobuffer transfers are required at about the same time, interrupt latency would increase by the time it takes for all the transfers to occur, which is affected by wait states and bus request.

Autobuffer Control Register

In autobuffering mode, an interrupt is generated when the modification of a specified I register (in the DAG) by the value in the specified M register (in the DAG) causes a modulus overflow (pointer wraparound). This means that the end of the buffer has been detected.

The autobuffering mode is enabled separately for receiving and transmitting by bits in the SPORT Autobuffer Control register (0x3FF3 for SPORT0 or 0x3FEF for SPORT1), shown in [Figure 5-22](#).

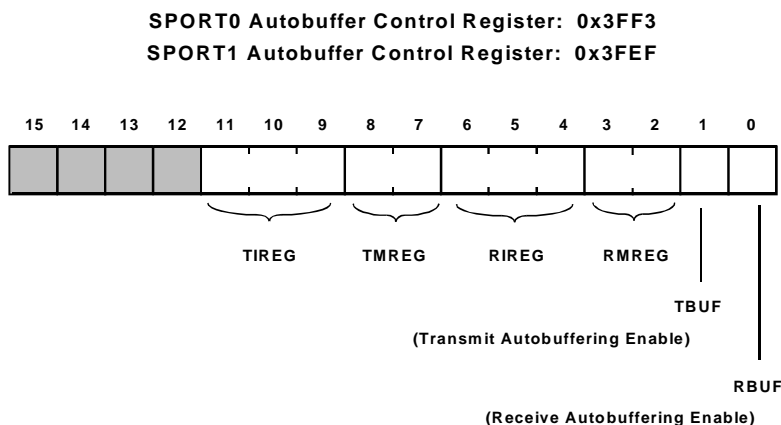


Figure 5-22. SPORT Autobuffer Control Register

The I and M registers used for autobuffering are identified by fields in the Autobuffer Control register. TIREG and TMREG are binary values that indicate the numbers of the I and M registers, respectively, associated with the transmit buffer. The rules governing the pairing of I and M registers are the same as for other DAG operations: the I and M registers must be in the same DAG, numbered either 0-3 for DAG1 or 4-7 for DAG2. Consequently, three bits identify the I register, but only two bits are necessary to indicate the M register because the third bit (MSB) of the M register number must be the same as for the I register.

Likewise, RIREG and RMREG indicate the numbers of the I and M registers, respectively, associated with the receive buffer.

The TBUF and RBUF bits enable transmit autobuffering and receive autobuffering, respectively. These bits are cleared to zeros at reset and after a reboot. Consequently, autobuffering in progress cannot continue through a reboot operation; you must re-enable autobuffering after a reboot.

Serial Port Autobuffering on the ADSP-2187/2188/2189 Processors

Due to the additional on-chip hardware memory overlay pages for all versions of the ADSP-2187, ADSP-2188, and ADSP-2189 processors, special care must be taken when using autobuffering with these memory overlay pages. The autobuffering mechanism of the serial ports use the DAG registers to control the target memory location. Just like normal DAG operations, autobuffering operations perform accesses to the hardware overlay currently pointed to by the PMOVLAY/DMOVLAY register.

For example, if you are autobuffering to Data Memory in the address range of 0x0000 through 0x1fff, then the DMOVLAY register controls the destination of the data. Changing the value of the overlay register could result in undesirable behavior, such as, scattering your data across multiple overlay pages.

However, if you take care in your program to only switch overlays on “wrap around” of the circular buffer’s Index register, you could have two or more buffers that you can use in a “ping-pong” fashion. These buffers reside at identical addresses on separate overlay regions. For more information on overlays, see [Chapter 8, “Memory Interface.”](#)

Autobuffering Example

Listing 5-2 provides an example that sets up SPORT1 for autobuffering operation. The code assumes that the processor is running with a clockout frequency of 73.728 MHz. The SPORT will automatically transmit values from the circular buffer named *tx_buffer*. It will receive values as they are sent to the SPORT and automatically transfer the data into the buffer named *rx_buffer*. A transmit interrupt will be generated once all of the *tx_buffer* values have been transferred to TX1, but before the last value has been loaded into the transmit shift register. A receive interrupt will be generated once the *rx_buffer* has been completely filled.

Listing 5-2. Autobuffering Example Configuration Code

```
/* Initialization code for autobuffer */

.SECTION/DM      data1;
.VAR/CIRC        tx_buffer[10];
.VAR/CIRC        rx_buffer[10];

.SECTION/PM      program;
.global          sport1_inits;

/* set up I,M, and L registers */

sport1_inits:
    I0 = tx_buffer;          /* I0 contains address of
                             tx_buffer */
    M0 = 1;                  /* fill every location */
    L0 = length (tx_buffer); /* L0 set to length of
                             tx_buffer */
    I1 = rx_buffer;          /* I1 points to
                             rx_buffer */
    L1 = length (rx_buffer); /* L1 set to length of
                             rx_buffer */
```

```

/* set up SPORT1 for autobuffering */

    AX0 = 0x0013;          /* TX uses I0, M0;
                           RX uses I1, M0 */
    DM(0x3FEF) = AX0;     /* autobuffering enabled */

/* set up SPORT1 for 8 kHz sampling and 2.048 MHz SCLK */

    AX0 = 255;            /* set RFSDIV to 255 for
                           8 kHz */
    DM(0x3FF0) = AX0;
    AX0 = 17;             /* set SCLKDIV to 17 for
                           {2.048 MHz SCLK */
    DM(0x3FF5) = AX0;

/* set up SPORT1 for normal required framing, internal SCLK
   internal generated framing */

    AX0 = 0x6B27;        /* normal framing,
                           8 bit mu-law */
    DM(0x3FF2) = AX0;   /* internal clock,
                           framing */

/* set up interrupts */

    IFC = 6;             /* clear any extraneous
                           SPORT interrupts*/
    ICNTL = 0;           /* interrupt nesting
                           disabled */
    IMASK = 6;           /* enable SPORT1
                           interrupts */

/* enable SPORT1 */

    AX0 = 0x0C1F;        /* enable SPORT1 leave */
    DM(0x3FFF) = AX0;   /* PWAIT, BWAIT as
                           default */

/* Place first transfer value into TX1 */

    AX0 = DM(I0,M0);
    TX1 = AX0;
    RTS;

```

Multichannel Function

SPORT0 supports a multichannel function. In the multichannel mode of operation, serial data is time-division multiplexed. Each subsequent word belongs to the next consecutive channel so that, for example, a 24-word block of data contains one word for each of 24 channels. SPORT0 supports 32 or 24 channels and can automatically select words for particular channels while ignoring the others.

In single-channel mode, receive and transmit framing identifies the start of a single word or continuous stream, with independent receive and transmit operation. In the multichannel mode, the receive frame sync signal (*RFS0*) identifies the start of a 24- or 32-word block of serial data with the receiver and transmitter operating in parallel. *TFS0* has an alternate function, described in the following sections.

Multichannel Setup

Multichannel operation is enabled by bit 15 in SPORT0's Control register (0x3FF6). When this bit is a 1, multichannel mode is enabled, and some control bits in the SPORT0 Control register are redefined. Bits affected by multichannel mode are shown in [Figure 5-23](#). At reset, bit 15 is cleared, disabling multichannel mode and enabling normal operation.

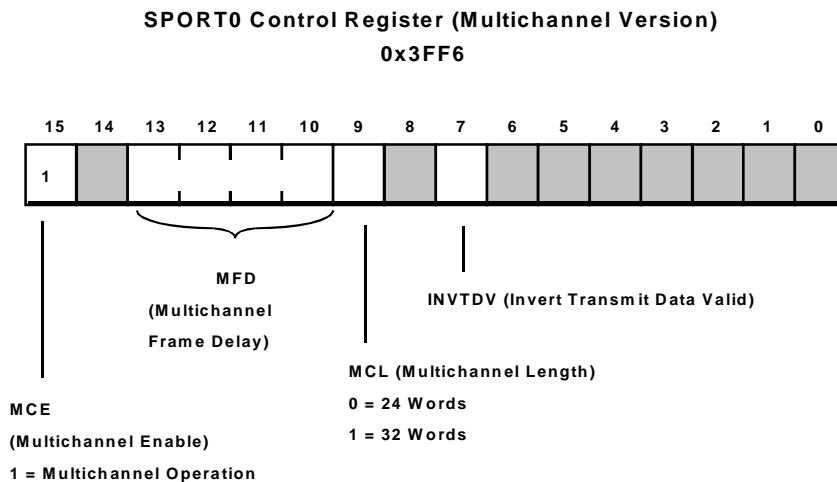


Figure 5-23. SPORT0 Control Register with Multichannel Mode Enabled

The state of the multichannel length bit `MCL`, bit 9, determines whether there are 24 or 32 channels, i.e. whether the block length is 24 or 32 words. A 0 selects 24-word blocks; a 1, 32-word blocks. In multichannel mode, the word length is still set by the `SLEN` field in the SPORT Control register and can be 3 to 16 bits.

Multichannel Function

The multichannel frame delay (MFD) is a 4-bit field specifying (in binary) the number of serial clock cycles between the frame sync signal and the first data bit. This allows the processor to work with different types of T1 interface devices. [Figure 5-24](#) shows a variety of delays.

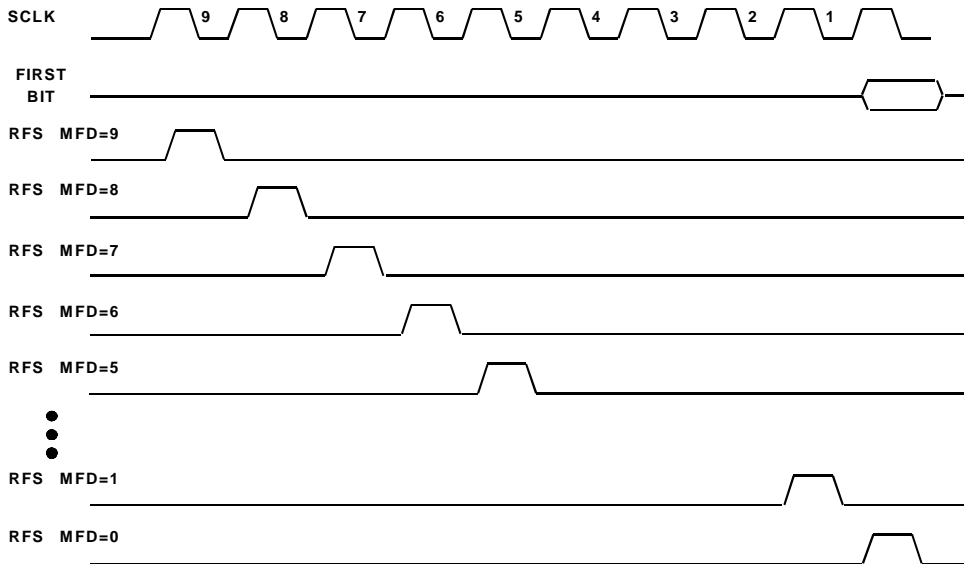


Figure 5-24. SPORT Multichannel Frame Delay Examples

The memory-mapped receive enable register and transmit enable register are each 32 bits wide and made up of two contiguous 16-bit registers, as shown in Figure 5-25. Each bit corresponds to a channel; setting the bit enables that channel so that the processor will select its word from the 24- or 32-word block. For example, setting bit 0 selects word 0, bit 12 selects word 12, and so on.

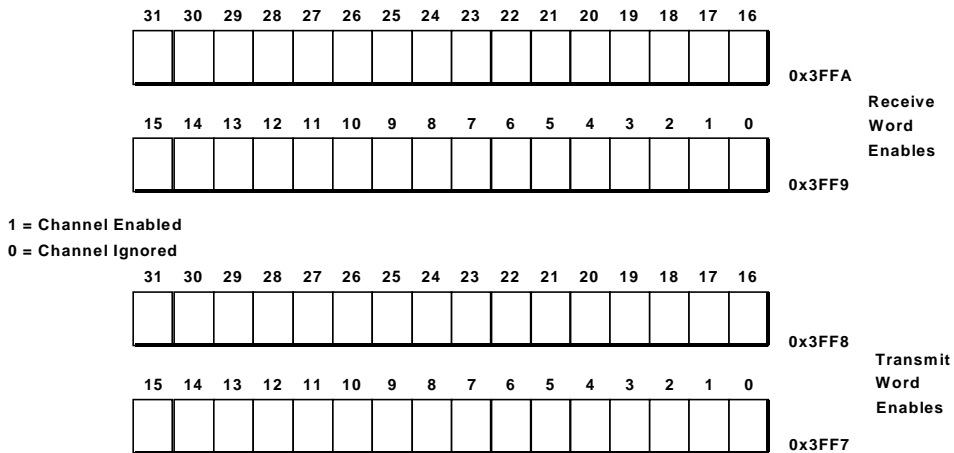


Figure 5-25. SPORT0 Multichannel Word Enable Registers

Multichannel Operation

Received words for channels that are not enabled are ignored; that is, no interrupts are generated for these words, no autobuffering occurs and no data is written to the `RX0` register. Likewise, there are no interrupts and no autobuffering for transmit words that are not enabled. During transmit word time slots for channels that are not enabled, the data transmit (`DT`) pin is tristated.

Multichannel Function

Most aspects of SPORT0 operate normally in the multichannel mode. Specifically, word length (SLEN), internal or external framing (IRFS), frame signal inversion (INVRFS), companding (DTYPE) and autobuffering are unchanged in the multichannel mode.

i It is important that RFS does not occur more than once per frame in multichannel mode.

Instead of providing frame synchronization, the TFS0 signal functions as a transmit data valid (TDV) signal in multichannel mode. TDV is asserted while the transmitter is active. TDV can be active high or low, and its polarity is controlled by the INVTF0 bit, renamed INVTDV in this context. If INVTDV is a 1, TDV is active low; otherwise it is active high. TDV can be used to enable additional buffer logic, if required.

Figure 5-26 shows the start of a multichannel transfer. As in earlier examples, word length is four bits (SLEN=3) and frame sync signals are active high. Multichannel frame delay (MFD) is one SCLK cycle. For the purpose of illustration, words 0 and 2 are selected for receiving and words 1 and 2 are selected for transmission.

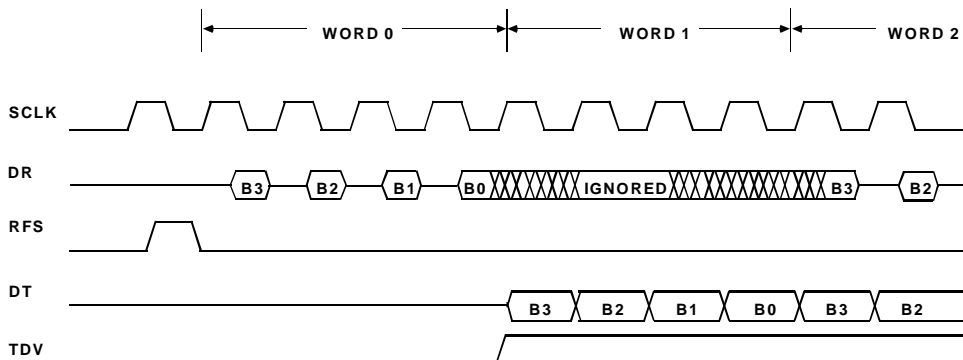


Figure 5-26. Start of Multichannel Transfer

Figure 5-27 shows a complete 24-word block in the multichannel mode, with complete words represented in the waveforms instead of individual bits. Receiving is active for all words and transmitting is active for words 0–3, 8–11 and 16–19 only.

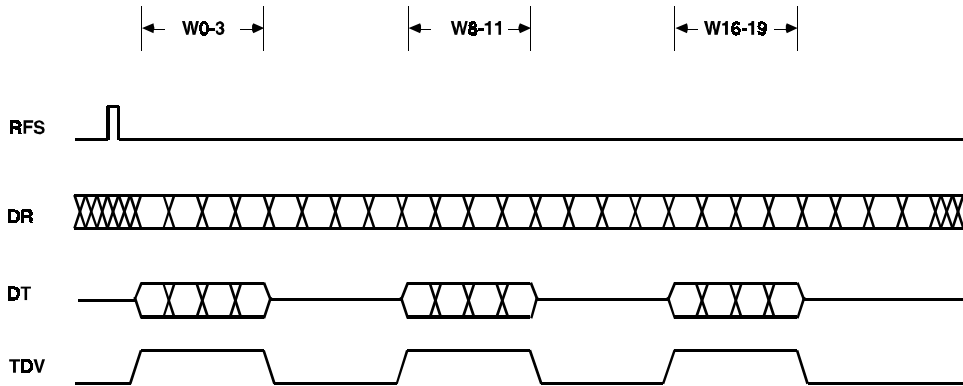


Figure 5-27. Complete Multichannel Example

SPORT Timing Considerations

The SPORTs support full duplex operation and are normally interrupt driven. That is, whenever a SPORT transaction has completed, the processor generates an internal interrupt. Under most operating conditions, the actual timing of the SPORT interrupts is not critical. In some sophisticated DSP systems, however, it is important to know the timing of the interrupt relative to the operation of the serial port.

Companding Delay

Use of the companding circuit introduces latency in two ways. First, compressing or expanding a data value takes a single processor cycle. Second, SPORT0 has priority over SPORT1 if both require an expansion or compression operation in the same cycle; in this case, SPORT1 must wait one processor cycle. See the section on companding earlier in this chapter for more details on companding.

Clock Synchronization Delay

Some SPORT timings depend on the processor clock. Other timings depend on the serial clock (SCLK0 or SCLK1). These clocks are asynchronous. There is a delay associated with synchronizing the serial clock to the processor clock whether the serial clock is internally or externally generated. This delay is different for the transmit and receive interrupts, as explained in the following sections: [“Transmit Interrupt Timing” on page 5-47](#) and [“Receive Interrupt Timing” on page 5-48](#).

Startup Timing

When a serial port is enabled by a write to the System Control register, it takes two SCLK cycles before it is actually enabled. On the next (third) SCLK cycle, the serial port becomes active, looking for a frame sync.

When the a serial port is disabled, if you set up the configuration to generate an internal SCLK, the pin becomes active before the port is enabled.

Internally Generated Frame Sync Timing

When internally generated frame syncs are used, all that is necessary to transmit data, from the programmer's point of view, is to move the data into the appropriate TX register with an instruction such as:

```
TX0 = AX0;
```

Once data is written into the TX register, the processor generates a frame sync after a synchronization delay. This delay in turn affects the timing of the serial port transmit interrupt. The latency depends on five factors:

- Frequency of the serial clock
- Whether or not companding is enabled
- Whether or not there is contention for the companding circuit
- Whether the current word has finished transmitting
- Logic level of the SCLK when the data value was loaded into the transmit register

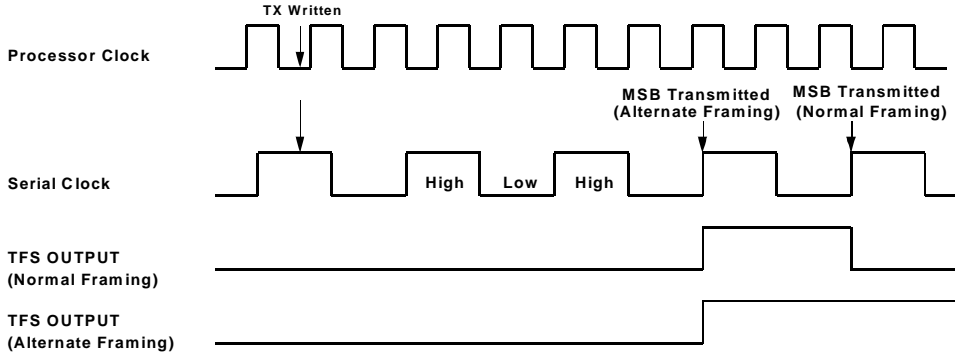


If the transmit frame sync is generated externally, data starts transmitting when a frame sync signal is received.

SPORT Timing Considerations

After the TX register is loaded, it takes three complete phases of the serial clock, HIGH, LOW and HIGH, in that order, to ensure synchronization. See [Figure 5-28](#).

TX Written, SCLK High



TX Written, SCLK Low

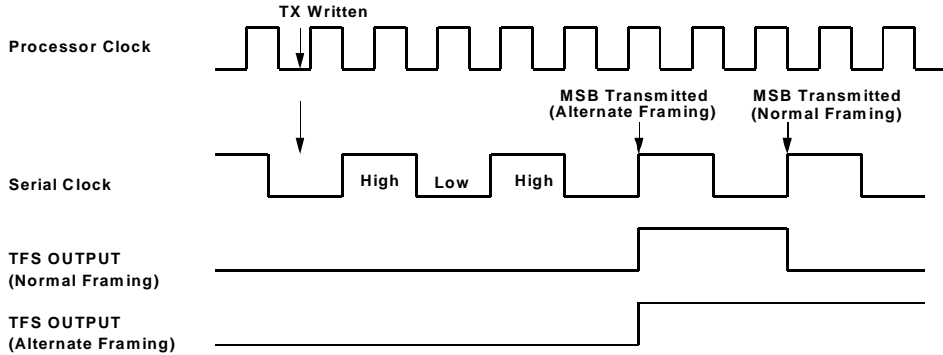


Figure 5-28. Serial Clock Synchronization

Once synchronization has been ensured and a frame sync generated, the most significant bit of the transmit word is shifted out as follows: on the same rising edge as the frame sync if alternate framing is used and on the rising edge of the next serial clock if normal framing is used. Therefore, the worst-case synchronization delay is two $SCLK$ cycles.

There is additional delay if the previous data transmission has not completed; the TX register cannot be loaded into the transmit shift register until the previous transmission is complete.

Transmit Interrupt Timing

Once the MSB has been transmitted, the subsequent bits are transmitted on the rising edges of the $SCLK$. The transmit interrupt (or autobuffer request) is generated internally on the falling edge of $SCLK$ during the transmission of the second bit (see [Figure 5-29](#)). This timing gives the program time to load the TX register with the next data for continuous data transmission.

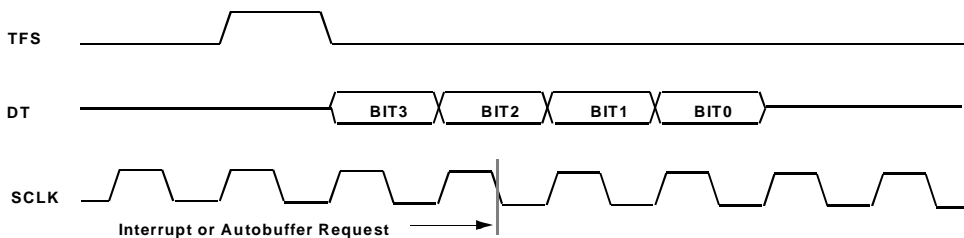


Figure 5-29. SPORT Interrupt or Autobuffer Timing, Transmit 4-Bit Words (No Companding)

The transmit interrupt, like any other interrupt, must be synchronized to the processor clock. Servicing is subject to the same latencies as other interrupts. The transmit interrupt essentially means that it is all right to write a value to the TX register.

Receive Interrupt Timing

The receiver portion of the SPORT latches data on the DR pin on the falling edges of SCLK.

Receive interrupt timing differs from transmit interrupt timing. The receive interrupt or autobuffer request occurs only after an entire word is received. The interrupt request occurs on the rising edge of SCLK after a word is received (see [Figure 5-30](#)) and indicates that new data in the RX register can be read.

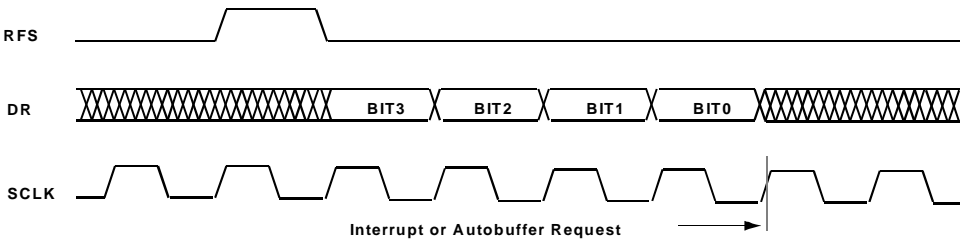


Figure 5-30. SPORT Interrupt or Autobuffer Timing, Receive 4-Bit Words (No Companding)

Companding causes a delay in the same manner as for transmitting. However, the latency is transparent, as the receive interrupt is generated after the expansion has taken place (see [Figure 5-31](#)).

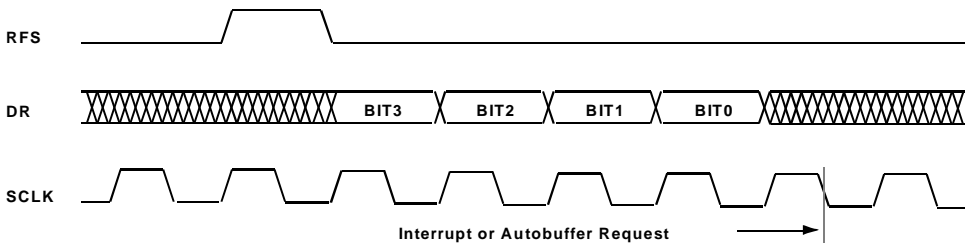


Figure 5-31. SPORT Interrupt or Autobuffer Timing, Receive 4-Bit Words (Companding Enabled)

The LSB is received on the falling edge of $SCLK$. One processor cycle elapses to allow synchronization to the processor clock. One processor cycle later, the SPORT attempts to expand the data if companding is enabled and the other serial port is not using the companding circuitry. Companding latencies as discussed above occur prior to generation of a receive interrupt. Servicing the receive interrupt is subject to the same latencies as other interrupts.

Interrupt and Autobuffer Synchronization

The serial ports are treated as an asynchronous system to the processor, even if the processor is providing the serial clock. Internal to the processor is a circuit which synchronizes the autobuffer or interrupt requests to the processor clock. Figure 5-32 shows the synchronization delay for the serial ports, assuming the setup and hold times are met for the current processor cycle. The setup and hold times for the serial port requests are the same as shown on the data sheet for the $\overline{TRQ2}$ signal. If the setup and hold times are not met, there is an additional processor cycle of delay added.

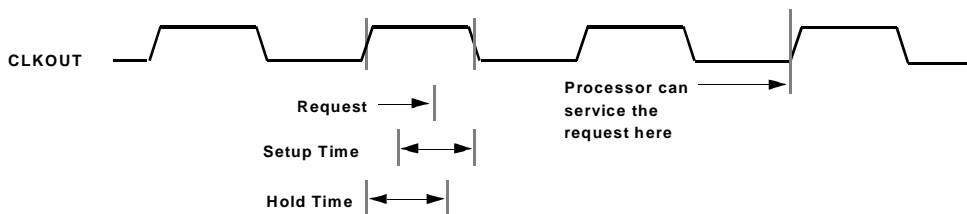


Figure 5-32. Synchronization of Autobuffer or Interrupt Request to Processor Clock

As shown in Figure 5-32, there is a two-processor-cycle delay before the autobuffer or interrupt request is acted on by the processor. The same latencies exist for all external interrupts. The processor can only service interrupt or autobuffer requests on instruction cycle boundaries, so there may be additional latency cycles added due to the completion of an instruction.

Instruction Completion Latencies

There are several situations which can cause an instruction to take more than one processor cycle. Any of the following can delay the processor's ability to service a pending interrupt or autobuffer request:

- External memory wait states
- Bus request when an external access is required (in Go mode)
- Bus request with Go mode disabled
- Multiple external accesses required for a single instruction
- A pending higher priority autobuffer or interrupt request
- Interrupt being masked

On instruction cycle boundaries the processor will service multiple pending interrupt or autobuffer requests in the following priority order:

- SPORT0 transmit autobuffer—highest priority
- SPORT0 receive autobuffer
- SPORT1 transmit autobuffer
- SPORT1 receive autobuffer
- Unmasked pending interrupts in priority order

Interrupt and Autobuffer Service Example

Figure 5-33 shows the execution of a serial port interrupt based on a request that meets the setup and hold time requirements. This example is the same for a receive or a transmit interrupt request.

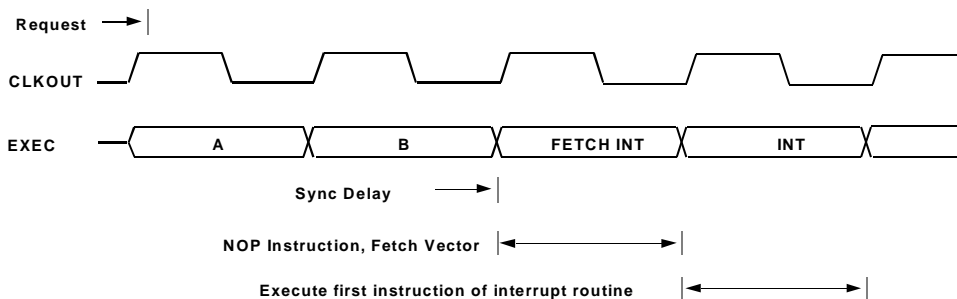


Figure 5-33. Interrupt Service Example

An additional latency cycle is consumed due to the fetching of the first instruction of the interrupt routine. The interrupt can only be serviced on an instruction cycle boundary. The above example (in Figure 5-33) assumes all instructions are completed in one processor cycle. Figure 5-34 shows the result of an autobuffer request that meets the setup and hold requirements.

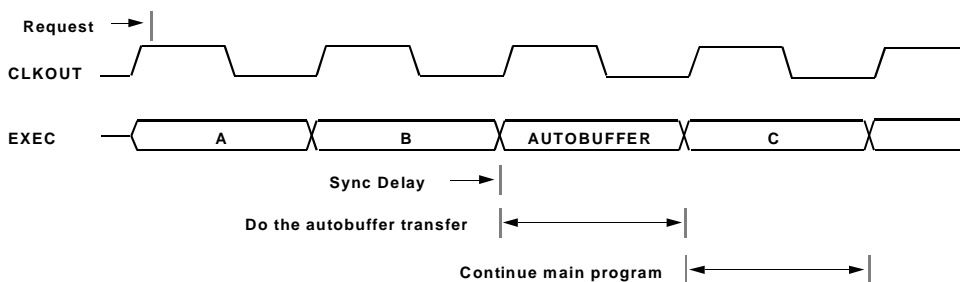


Figure 5-34. Autobuffer Service Example

SPORT Timing Considerations

Autobuffering only consumes the cycles necessary to perform the data transfer; no additional cycles are lost fetching instructions. The above diagram assumes that all instructions and data transfers occur in one processor cycle.

Receive Companding Latency

In addition to the cycles used for synchronization, there are some additional delays possible due to receive companding. The synchronized request is used by the processor to decide when to write the receive register with the expanded value. This can only occur on instruction cycle boundaries and only one receive register can be expanded at a time. On the ADSP-218x family processors, there is also a possibility of a delay due to the availability of the companding circuitry. SPORT0 has the higher priority. When companding is enabled, the autobuffer or interrupt request does not occur until the register has been expanded. [Figure 5-35](#) and [Figure 5-36](#) show examples of autobuffering with companding and the latencies involved. [Figure 5-36](#) shows the latency when there are two pending receive autobuffer requests with companding enabled.

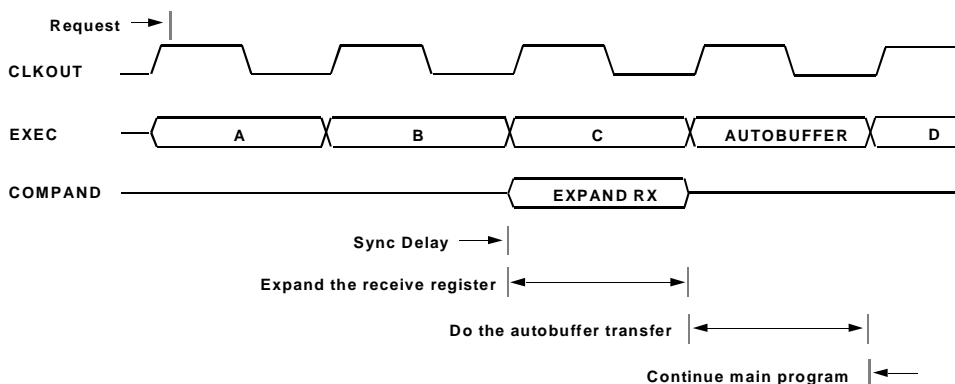


Figure 5-35. Receive Companding Example

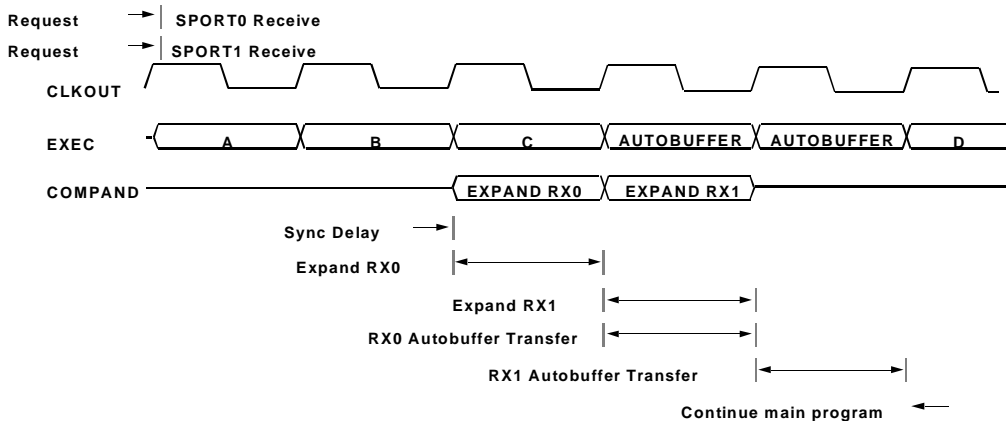


Figure 5-36. Receive Companding Example with Both Serial Ports

Interrupts with Autobuffering Enabled

When autobuffering is enabled, SPORT interrupts occur when the address modification done during the autobuffer operation causes a modulus wraparound. The synchronization delay applies to this type of interrupt as well. An example is shown in [Figure 5-37](#).

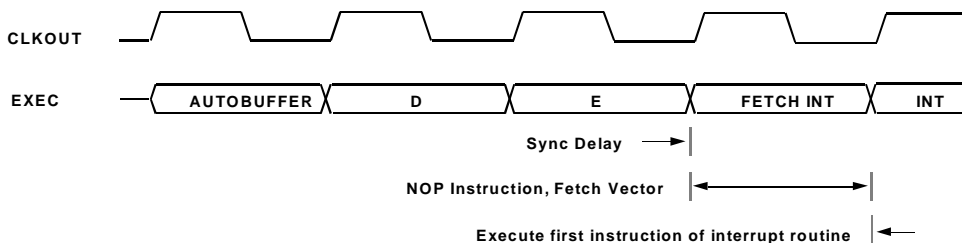


Figure 5-37. Autobuffering Interrupt Example

Unusual Complications

In most cases the serial port companding, autobuffer, and interrupt latencies are transparent to your application program. When trying to use the same I register for more than one autobuffer channel, it becomes important to make sure that the latencies do not affect the correct order of operations. For example, if the serial port data is continuous, and the receiver and transmitter are working with the same frame signal, the order of the transmit and receive autobuffer or interrupt operations may be affected by the latencies, as shown in [Figure 5-38](#).

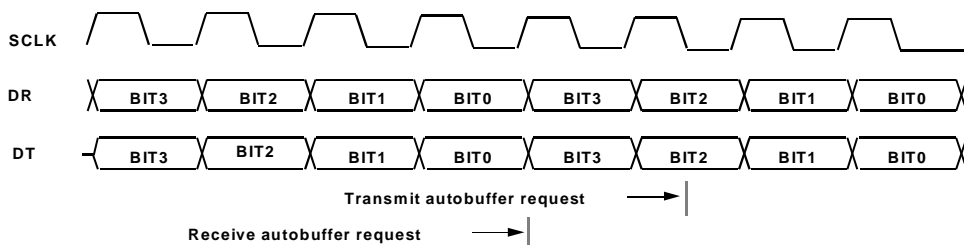


Figure 5-38. Using One Index Register for Transmit and Receive Autobuffer

If the processor is free to handle the autobuffer requests in the order they are generated, the receive autobuffer happens first and is then followed by the transmit autobuffer. The order of these operations may change if the processor is not available to handle the requests due to any of the previously mentioned latencies.

In the example shown in [Figure 5-35](#), there are $1\frac{1}{2}$ serial clock cycles between the requests. If the processor is subject to bus requests, wait states, or other latencies that are longer than $1\frac{1}{2}$ serial clock cycles, both autobuffer operations may be held off. Since the transmit autobuffer has a higher priority, its request will occur first.

Because of the priority of the autobuffer requests, the use of a single I register is more difficult or even impossible in some cases. As long as there are no possible latency cases longer than the difference in the timing of the requests, it is quite possible to use a single I register for serial port autobuffering.

Serial Port Startup Issues

Serial clocks have some special startup issues that you need to be aware of and take precautions for. This section discusses these issues.

Gated Serial Clocks

The ADSP-218x family processors require two serial clock cycles to synchronize the enabling of the serial port to the serial clock signal. Therefore, Analog Devices recommends using a continuous serial clock for frame sync signals that are active for more than a single serial clock cycle. However, if a gated serial clock is used in your system with a frame sync signal that is longer than one serial clock cycle, you must use the following procedure each time the serial port is enabled.

1. Set the `SLEN` in the SPORT Control register to be equal to (*normal word length-2*).
For example, if 12-bit words are being transmitted/received, set the `SLEN` field in the SPORTx Control register to 9 in the main part of the program that sets up the SPORT.
2. Enable the SPORT.
3. Ignore the first word transmitted/received.
4. When the interrupt service routine is serviced for the first time, change the value in the `SLEN` field back to 11 as you go. This change will cause the SPORT to re-synchronize and transmit/receive the correct words.

Serial Port Startup Issues

Figure 5-39 shows a detailed flow chart for the gated serial clock procedure described above.

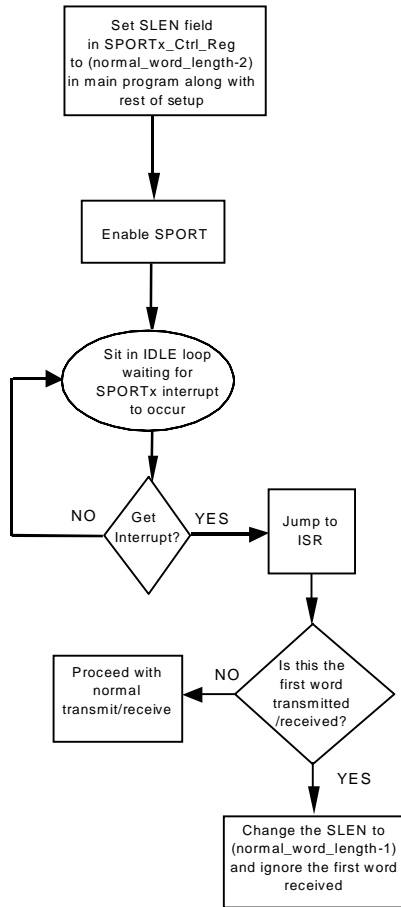


Figure 5-39. Gated Serial Clock Procedure

Ringing and Overshoot on Serial Clock Pins

Serial ports are high-performance, sensitive signals. (They need to be sensitive in order to perform at high speeds.) This sensitivity makes them subject to noise, which can be caused by reflections (ringing) in the signal. In order to prevent reflections, use short traces and a series termination resistor at the beginning or end of the transmission line.

i To determine if reflection appears in a signal, you need to use a high-bandwidth scope with a 1 GHz or greater sampling frequency.

Serial ports are also subject to overshoot. For example, exceeding the maximum voltage input specification for the serial port may cause it to lock up or hang.

Multi-Cycle Frame Sync Pulse

When operating with frame signals that are held asserted for more than one cycle, it is possible to have a start-up problem with continuous data. The problem occurs when a frame signal is asserted for multiple serial clock cycles prior to enabling the serial port. [Figure 5-40](#) shows an example of this situation. This very unusual situation causes the receiving device to clock in bad bits before the SPORT is actually enabled.

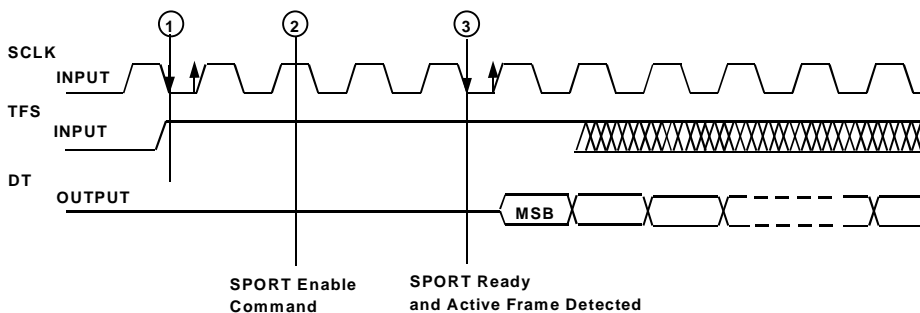


Figure 5-40. SPORT Enabled While Receiving an Active Frame Sync

Serial Port Startup Issues

At position ② in [Figure 5-40](#) the SPORT is being enabled. The SPORT takes the normal two SCLK cycle delay to become active, and at position ③, it begins looking for the TFS signal. In this case, however, the TFS signal is already active and the receiving device already started receiving bits. This situation causes the receiving device to clock in some number of incorrect bits. There are three different cases to be concerned with:

- Non-continuous data—only the first received word is affected; the next word syncs properly
- Frame in multi-channel mode—the entire first frame is incorrect
- Continuous data—the entire data stream is misaligned

If this situation is likely to be a problem, the external circuit shown in [Figure 5-41](#) can be used to disable the received frame sync until the SPORT is truly active. Disabling the received frame sync permits software to check the status of the frame sync and wait for it to become inactive before enabling the input.

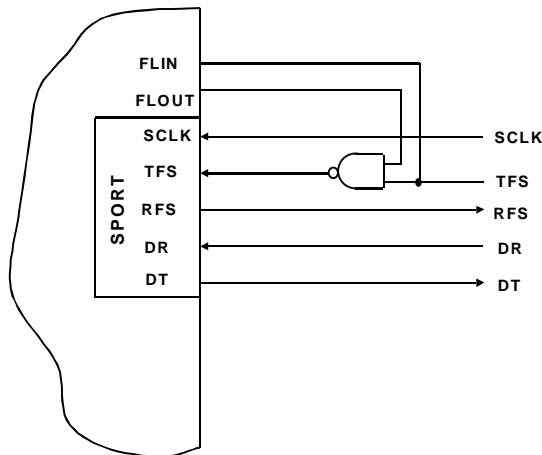


Figure 5-41. External SPORT Enable Circuit