

2 COMPUTATIONAL UNITS

Overview

This chapter describes the architecture and function of the ADSP-218x processors' three computational units: the arithmetic/logic unit, the multiplier/accumulator and the barrel shifter.

Every device in the ADSP-218x family is a 16-bit, fixed-point processor. Most operations assume a twos-complement number representation, while others assume unsigned numbers or simple binary strings. Special features support multiword arithmetic and block floating-point. Details concerning the various number formats supported by the ADSP-218x family are given in [Appendix A, "Numeric Formats"](#).

In ADSP-218x family arithmetic, signed numbers are always in twos-complement format. The processors do not use signed-magnitude, ones-complement, BCD or excess-n formats.

Binary String

This is the simplest binary notation; sixteen bits are treated as a bit pattern. Examples of computation using this format are the logical operations: NOT, AND, OR, XOR. These ALU operations treat their operands as binary strings with no provision for sign bit or binary point placement.

Overview

Unsigned Binary Numbers

Unsigned binary numbers may be thought of as positive, having nearly twice the magnitude of a signed number of the same length. The least significant words of multiple precision numbers are treated as unsigned numbers.

Signed Numbers: Twos-Complement

In discussions of ADSP-218x family arithmetic, “signed” refers to twos-complement. Most ADSP-218x family operations presume or support twos-complement arithmetic. The ADSP-218x family does not use signed-magnitude, ones-complement, BCD, or excess-n formats.

Fractional Representation: 1.15

ADSP-218x family arithmetic is optimized for numerical values in a fractional binary format denoted by 1.15 (“one dot fifteen”). In the 1.15 format, there is one sign bit (the MSB) and fifteen fractional bits representing values from -1 up to one LSB less than $+1$.

Figure 2-1 shows the bit weighting for 1.15 numbers.

-2^0	2^{-1}	2^{-2}	2^{-3}	2^{-4}	2^{-5}	2^{-6}	2^{-7}	2^{-8}	2^{-9}	2^{-10}	2^{-11}	2^{-12}	2^{-13}	2^{-14}	2^{-15}
--------	----------	----------	----------	----------	----------	----------	----------	----------	----------	-----------	-----------	-----------	-----------	-----------	-----------

Figure 2-1. Bit Weighting for 1.15 Numbers

Table 2-1 gives examples of 1.15 numbers and their decimal equivalents:

Table 2-1. Examples of 1.15 Number Format

1.15 Number	Decimal Equivalent
0x0001	0.000031
0x7FFF	0.999969
0xFFFF	-0.000031
0x8000	-1.000000

ALU Arithmetic

All operations on the ALU treat operands and results as simple 16-bit binary strings, except the signed division primitive (`DIVS`). Various status bits treat the results as signed: the overflow (`AV`) condition code, and the negative (`AN`) flag.

The logic of the overflow bit (`AV`) is based on twos-complement arithmetic. It is set if the MSB changes in a manner not predicted by the signs of the operands and the nature of the operation. For example, adding two positive numbers must generate a positive result; a change in the sign bit signifies an overflow and sets `AV`. Adding a negative and a positive may result in either a negative or positive result, but cannot overflow.

The logic of the carry bit (`AC`) is based on unsigned-magnitude arithmetic. It is set if a carry is generated from bit 16 (the MSB). The (`AC`) bit is most useful for the lower word portions of a multiword operation.

MAC Arithmetic

The multiplier produces results that are binary strings. The inputs are “interpreted” according to the information given in the instruction itself (signed times signed, unsigned times unsigned, a mixture, or a rounding operation). The 32-bit result from the multiplier is assumed to be signed, in that it is sign-extended across the full 40-bit width of the MR register set.

The ADSP-218x family supports two modes of format adjustment: the fractional mode for fractional operands, 1.15 format (1 signed bit, 15 fractional bits), and the integer mode for integer operands, 16.0 format.

When the processor multiplies two 1.15 operands, the result is a 2.30 (2 sign bits, 30 fractional bits) number. In the fractional mode, the MAC automatically shifts the multiplier product (P) left one bit before transferring the result to the multiplier result register (MR). This shift causes the multiplier result to be in 1.31 format, which can be rounded to 1.15 format. [Figure 2-7 on page 2-26](#) shows this.

In the integer mode, the left shift does not occur. For example, if the operands are in the 16.0 format, the 32-bit multiplier result would be in 32.0 format. A left shift is not needed; it would change the numerical representation. [Figure 2-8 on page 2-26](#) shows this.

Shifter Arithmetic

Many operations in the shifter are explicitly geared to signed (twos-complement) or unsigned values: logical shifts assume unsigned-magnitude or binary string values and arithmetic shifts assume twos-complement.

The exponent logic assumes twos-complement numbers. The exponent logic supports block floating-point, which is also based on twos-complement fractions.

Arithmetic Formats Summary

Table 2-2 summarizes some of the arithmetic characteristics of ADSP-218x family operations. In addition to the numeric types described in this section, the ADSP-218x Family C Compiler supports a form of 32-bit floating-point in which one 16-bit word is the exponent and the other 16-bit word is the mantissa. See the *C Compiler & Library Manual for ADSP-218x & ADSP-219x Family DSPs* for more information.

Table 2-2. Arithmetic Formats

Operation (by Computational Unit)	Arithmetic Formats	
	Operands	Result
ALU		
Addition	Signed or unsigned	Interpret flags
Subtraction	Signed or unsigned	Interpret flags
Logical Operations	Binary string	Same as operands
Division	Explicitly signed/unsigned	Same as operands
ALU Overflow	Signed	Same as operands
ALU Carry Bit	16-bit unsigned	Same as operands
ALU Saturation	Signed	Same as operands

Overview

Table 2-2. Arithmetic Formats (Cont'd)

Operation (by Computational Unit)	Arithmetic Formats	
	Operands	Result
MAC, Fractional		
Multiplication (P)	1.15 Explicitly signed/unsigned	32 bits (2.30)
Multiplication (MR)	1.15 Explicitly signed/unsigned	2.30 shifted to 1.31
Mult /Add	1.15 Explicitly signed/unsigned	2.30 shifted to 1.31
Mult /Subtract	1.15 Explicitly signed/unsigned	2.30 shifted to 1.31
MAC Saturation	Signed	same as operands
MAC, Integer Mode		
Multiplication (P)	1.15 Explicitly signed/unsigned	32 bits (2.30)
Multiplication (MR)	16.0 Explicitly signed/unsigned	32.0 no shift
Mult /Add	16.0 Explicitly signed/unsigned	32.0 no shift
Mult /Subtract	16.0 Explicitly signed/unsigned	32.0 no shift
MAC Saturation	Signed	same as operands

Table 2-2. Arithmetic Formats (Cont'd)

Operation (by Computational Unit)	Arithmetic Formats	
	Operands	Result
Shifter		
Logical Shift	Unsigned / binary string	same as operands
Arithmetic Shift	Signed	same as operands
Exponent Detection	Signed	same as operands

Arithmetic Logic Unit (ALU)

The Arithmetic Logic Unit (ALU) provides a standard set of arithmetic and logical functions. The arithmetic functions are add, subtract, negate, increment, decrement and absolute value. These are supplemented by two division primitives with which multiple cycle division can be constructed. The logic functions are AND, OR, XOR (exclusive OR) and NOT.

Arithmetic Logic Unit (ALU)

ALU Structure

Figure 2-2 shows a block diagram of the ALU.

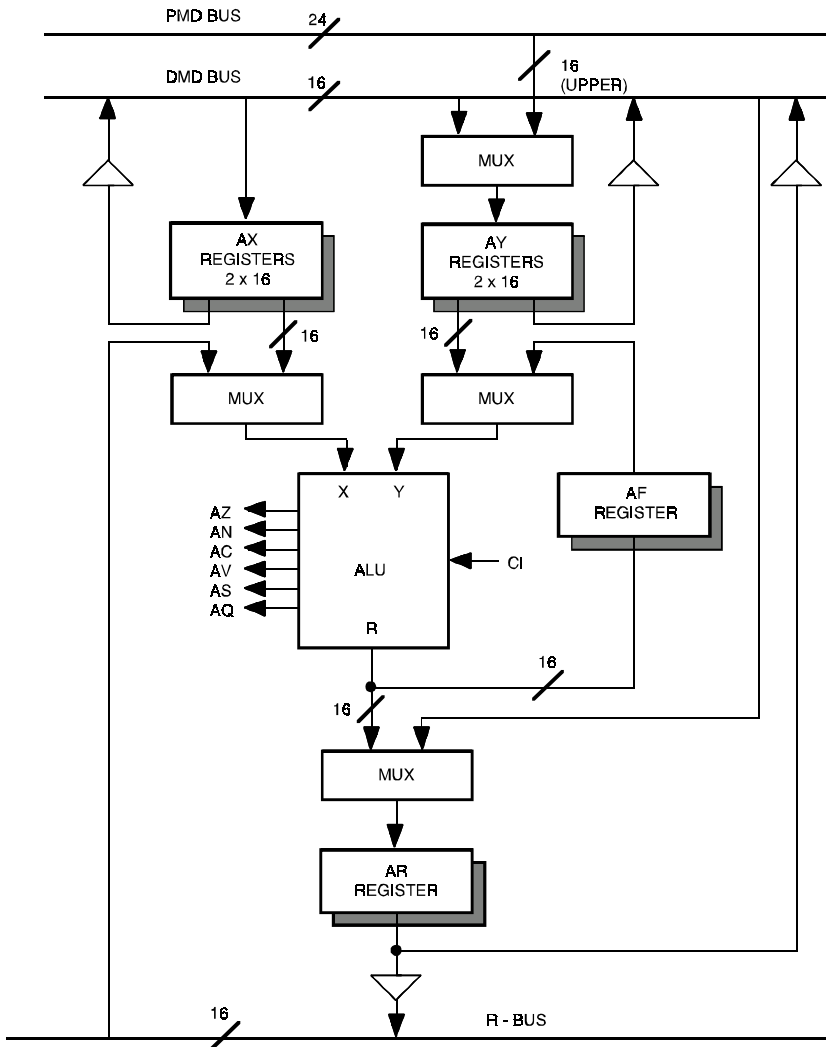


Figure 2-2. ALU Block Diagram

The ALU is 16 bits wide with two 16-bit input ports, X and Y, and one output port, R. The ALU accepts a carry-in signal (CI) which is the carry bit from the processor arithmetic status register (ASTAT). The ALU generates six status signals: the zero (AZ) status, the negative (AN) status, the carry (AC) status, the overflow (AV) status, the X-input sign (AS) status, and the quotient (AQ) status. All arithmetic status signals are latched into the arithmetic status register (ASTAT) at the end of the cycle. Please see the *ADSP-218x DSP Instruction Set Reference* for information on how each instruction affects the ALU flags.

The X input port of the ALU can accept data from two sources: the AX register file or the result (R) bus. The R bus connects the output registers of all the computational units, permitting them to be used as input operands directly. The AX register file is dedicated to the X input port and consists of two registers, AX0 and AX1. These AX registers are readable and writable from the DMD bus. The instruction set also provides for reading these registers over the PMD bus, but there is no direct connection; this operation uses the PMD-DMD bus exchange unit. The AX register file outputs are dual-ported so that one register can provide input to the ALU while either one simultaneously drives the DMD bus.

The Y input port of the ALU can also accept data from two sources: the AY register file and the ALU feedback (AF) register. The AY register file is dedicated to the Y input port and consists of two registers, AY0 and AY1. These registers are readable and writable from the DMD bus and writable from the PMD bus. The instruction set also provides for reading these registers over the PMD bus, but there is no direct connection; this operation uses the PMD-DMD bus exchange unit. The AY register file outputs are also dual-ported: one AY register can provide input to the ALU while either one simultaneously drives the DMD bus.

Arithmetic Logic Unit (ALU)

The output of the ALU is loaded into either the ALU feedback (AF) register or the ALU result (AR) register or it is discarded. The AF register is an ALU internal register that allows the ALU result to be used directly as the ALU Y input. The AR register can drive both the DMD bus and the R bus. It is also loadable directly from the DMD bus. The ADSP-218x processor instruction set also provides for reading AR over the PMD bus, but there is no direct connection; this operation uses the PMD-DMD bus exchange unit.

Any of the registers associated with the ALU can be both read and written in the same cycle. Registers are read at the beginning of a processor clock cycle and written at the end of a processor clock cycle. A register read, therefore, reads the value loaded at the end of a previous cycle. A new value written to a register cannot be read out until a subsequent cycle. This allows an input register to provide an operand to the ALU at the beginning of the cycle and be updated with the next operand from memory at the end of the same cycle. It also allows a result register to be stored in memory and updated with a new result in the same cycle. See “Multi-function Instructions” in the *ADSP-218x DSP Instruction Set Reference* for an illustration of this same-cycle read and write.

The ALU contains a duplicate bank of registers (shown in [Figure 2-2 on page 2-8](#)) behind the primary registers. There are actually two sets of AR , AF , AX , and AY register files. Only one bank is accessible at a time. The additional bank of registers can be activated (such as during an interrupt service routine) for extremely fast context switching. A new task, like an interrupt service routine, can be executed without transferring current states to storage.

The selection of the primary or alternate bank of registers is controlled by bit 0 in the processor mode status register ($MSTAT$). If this bit is a 0, the primary bank is selected; if it is a 1, the secondary bank is selected.

Standard Functions

Table 2-3 lists the standard ALU functions.

Table 2-3. Standard ALU Functions

Function	Description
$R = X + Y$	Add X and Y operands
$R = X + Y + CI$	Add X and Y operands and carry-in bit
$R = X - Y$	Subtract Y from X operand
$R = X - Y + CI - 1$	Subtract Y from X operand with “borrow”
$R = Y - X$	Subtract X from Y operand
$R = Y - X + CI - 1$	Subtract X from Y operand with “borrow”
$R = -X$	Negate X operand (<i>twos-complement</i>)
$R = -Y$	Negate Y operand (<i>twos-complement</i>)
$R = Y + 1$	Increment Y operand
$R = Y - 1$	Decrement Y operand
$R = PASS X$	Pass X operand to result unchanged
$R = PASS Y$	Pass Y operand to result unchanged
$R = 0$ (<i>PASS 0</i>)	Clear result to zero
$R = ABS X$	Absolute value of X operand
$R = X AND Y$	Logical AND of X and Y operands
$R = X OR Y$	Logical OR of X and Y operands

Arithmetic Logic Unit (ALU)

Table 2-3. Standard ALU Functions (Cont'd)

Function	Description
$R = X \text{ XOR } Y$	Logical Exclusive OR of X and Y operands
$R = \text{NOT } X$	Logical NOT of X operand (<i>ones-complement</i>)
$R = \text{NOT } Y$	Logical NOT of Y operand (<i>ones-complement</i>)

ALU Input/Output Registers

Table 2-4 lists the sources for ALU input and output registers.

Table 2-4. Sources for ALU Input and Output Registers

Source for X Input Port	Source for Y Input Port	Destination for R Output Port
AX0, AX1	AY0, AY1	AR
AR	AF	AF
MR0, MR1, MR2 ¹		NONE
SR0, SR1 ²		

1 MR0, MR1 and MR2 are multiplier/accumulator result registers.

2 SR0 and SR1 are shifter result registers.

Multiprecision Capability

Multiprecision operations are supported in the ALU with the carry-in signal and ALU carry (AC) status bit. The carry-in signal is the AC status bit that was generated by a previous ALU operation. The “add with carry” (+ C) operation is intended for adding the upper portions of multiprecision numbers. The “subtract with borrow” (C – 1 is effectively a “borrow”) operation is intended for subtracting the upper portions of multiprecision numbers.

ALU Saturation Mode

The AR register has a twos-complement saturation mode of operation that automatically sets it to the maximum negative or positive value if an ALU result overflows or underflows. This feature is enabled or disabled executing the `ena ar_sat` and `dis ar_sat` assembly instructions, respectively, or by setting or clearing bit 3 of `MSTAT`. The ALU saturation mode is disabled by default upon reset. When enabled, the value loaded into AR during an ALU operation depends on the state of the overflow and carry status generated by the ALU on that cycle. The following table summarizes the loading of AR when saturation mode is enabled.

Table 2-5. Saturation Mode

Overflow (AV)	Carry (AC)	AR Contents
0	0	ALU Output
0	1	ALU Output
1	0	0111111111111111 <i>full-scale positive</i>
1	1	1000000000000000 <i>full-scale negative</i>

Arithmetic Logic Unit (ALU)

The operation of the ALU saturation mode is different from the Multiplier/Accumulator saturation ability, which is enabled only on an instruction by instruction basis. For the ALU, enabling saturation means that all subsequent operations are processed this way.

When the ALU saturation mode is used, only the AR register saturates; if the AF register is the destination, wrap-around will occur but the flags will reflect the saturated result.

ALU Overflow Latch Mode

The ALU overflow latch mode, causes the AV bit to “stick” once it is set. This feature is enabled or disabled by executing the `ena av_latch` and `dis av_latch` instructions, respectively, or by setting or clearing bit 2 in the MSTAT register. The ALU overflow latch mode is disabled by default upon reset. When an ALU overflow occurs and the overflow latch mode is enabled, the AV bit of the ASTAT register is set and remains set, even if subsequent ALU operations do not generate overflows. In the overflow latch mode, AV can only be cleared by directly writing a zero to bit 2 of the ASTAT register via the internal DMD bus.

Division

The ALU supports division. The divide function is achieved with additional shift circuitry not shown in [Figure 2-2 on page 2-8](#). Division is accomplished with two special divide primitives. These are used to implement a non-restoring conditional add-subtract division algorithm. The division can be either signed or unsigned; however, the dividend and divisor must both be of the same type. Appendix A details various exceptions to the normal division operation as described in this section.

A single-precision divide, with a 32-bit dividend (numerator) and a 16-bit divisor (denominator), yielding a 16-bit quotient, executes in 16 cycles. Higher and lower precision quotients can also be calculated. The divisor can be stored in $AX0$, $AX1$, or any of the R registers. The upper half of a signed dividend can start in either $AY1$ or AF . The upper half of an unsigned dividend must be in AF . The lower half of any dividend must be in $AY0$. At the end of the divide operation, the quotient will be in $AY0$.

The first of the two primitive instructions “divide-sign” ($DIVS$) is executed at the beginning of the division when dividing signed numbers. This operation computes the sign bit of the quotient by performing an exclusive-OR of the sign bits of the divisor and the dividend. The $AY0$ register is shifted one place so that the computed sign bit is moved into the LSB position. The computed sign bit is also loaded into the AQ bit of the arithmetic status register. The MSB of $AY0$ shifts into the LSB position of AF , and the upper 15 bits of AF are loaded with the lower 15 R bits from the ALU, which simply passes the Y input value straight through to the R output. The net effect is to left shift the AF - $AY0$ register pair and move the quotient sign bit into the LSB position. The operation of $DIVS$ is illustrated in [Figure 2-3](#).

Arithmetic Logic Unit (ALU)

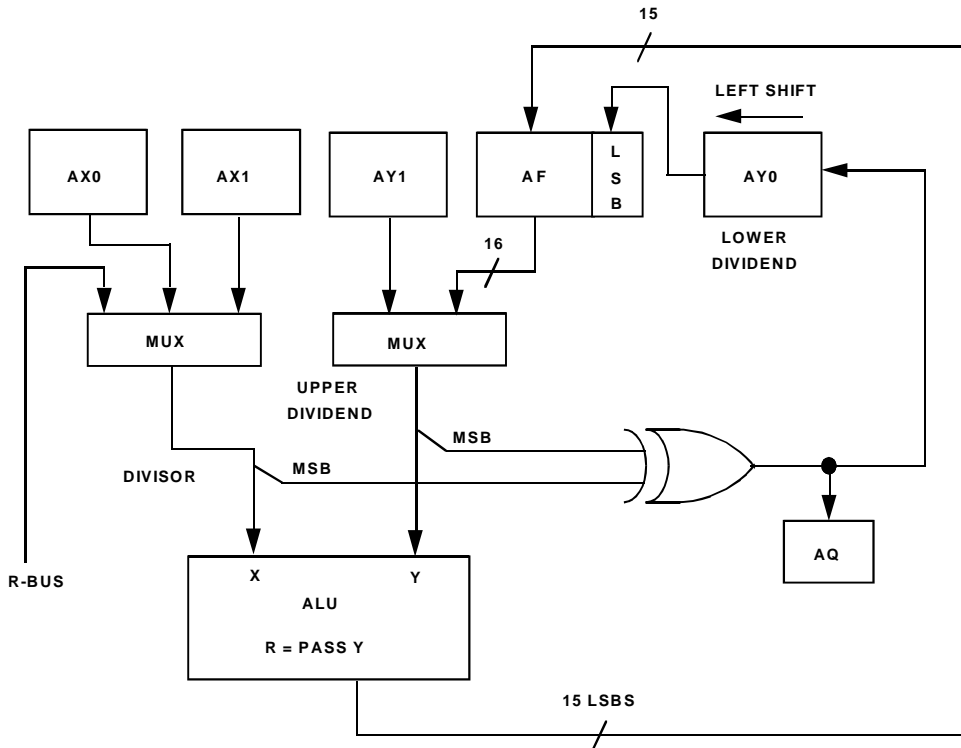


Figure 2-3. DIVS Operation

When dividing unsigned numbers, the `DIVS` operation is not used. Instead, the `AQ` bit in the arithmetic status register (`ASTAT`) should be initialized to zero by manually clearing it. The `AQ` bit indicates to the following operations that the quotient should be assumed positive.

The second division primitive is the “divide-quotient” (`DIVQ`) instruction which generates one bit of quotient at a time and is executed repeatedly to compute the remaining quotient bits. For unsigned single precision divides, the `DIVQ` instruction is executed 16 times to produce 16 quotient bits. For signed single precision divides, the `DIVQ` instruction is executed 15 times after the sign bit is computed by the `DIVS` operation.

`DIVQ` instruction shifts the `AY0` register left by one bit so that the new quotient bit can be moved into the LSB position. The status of the `AQ` bit generated from the previous operation determines the ALU operation to calculate the partial remainder. If `AQ = 1`, the ALU adds the divisor to the partial remainder in `AF`. If `AQ = 0`, the ALU subtracts the divisor from the partial remainder in `AF`. The ALU output `R` is offset loaded into `AF` just as with the `DIVS` operation. The `AQ` bit is computed as the exclusive-OR of the divisor MSB and the ALU output MSB, and the quotient bit is this value inverted. The quotient bit is loaded into the LSB of the `AY0` register which is also shifted left by one bit. The `DIVQ` operation is illustrated in [Figure 2-4](#).

Arithmetic Logic Unit (ALU)

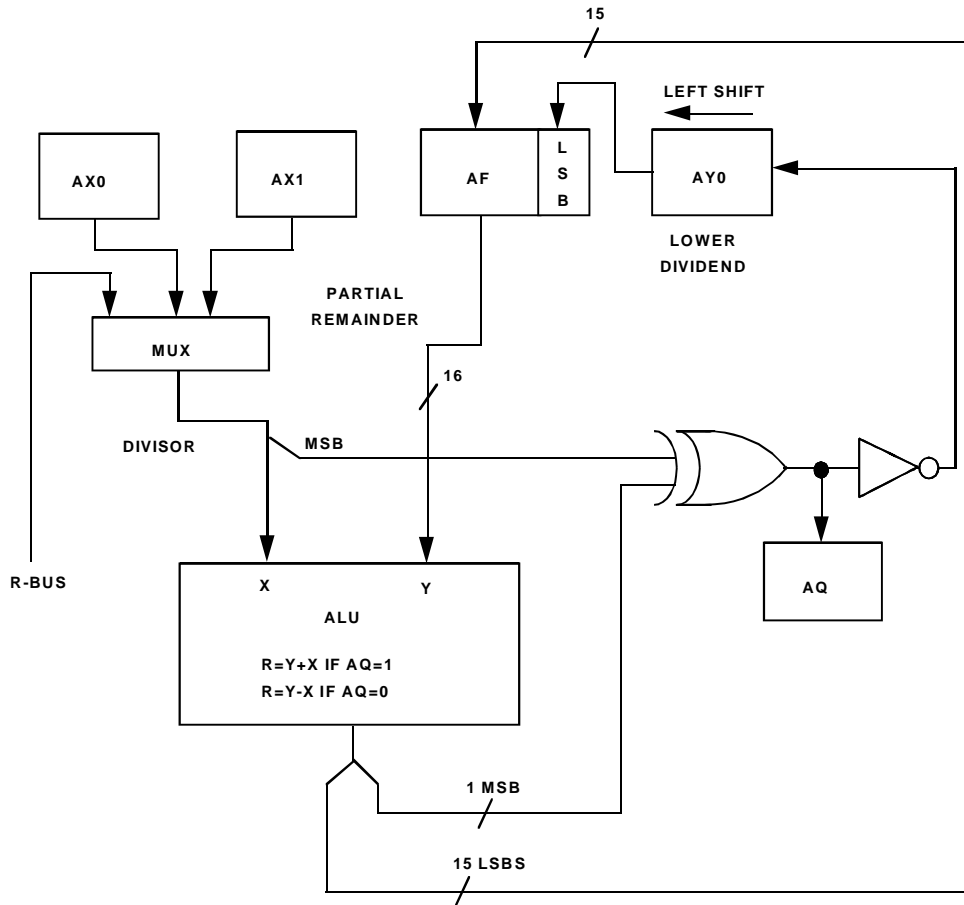


Figure 2-4. DIVQ Operation

The format of the quotient for any numeric representation can be determined by the format of the dividend and divisor. For example, let NL represent the number of bits to the left of the binary point and NR represent the number of bits to the right of the binary point of the dividend. Let DL represent the number of bits to the left of the binary point and DR represent the number of bits to the right of the binary point of the divisor. Then, the quotient has $NL - DL + 1$ bits to the left of the binary point and $NR - DR - 1$ bits to the right of the binary point.

Some format manipulation may be necessary to guarantee the validity of the quotient. For example, if both operands are signed and fully fractional (dividend in 1.31 format and divisor in 1.15 format) the result is fully fractional (in 1.15 format) and therefore the dividend must be smaller than the divisor for a valid result.

To divide two integers (dividend in 32.0 format and divisor in 16.0 format) and produce an integer quotient (in 16.0 format), you must shift the dividend one bit to the left (into 31.1 format) before dividing. Additional discussion and code examples can be found in the *ADSP-218x Instruction Set Reference*.

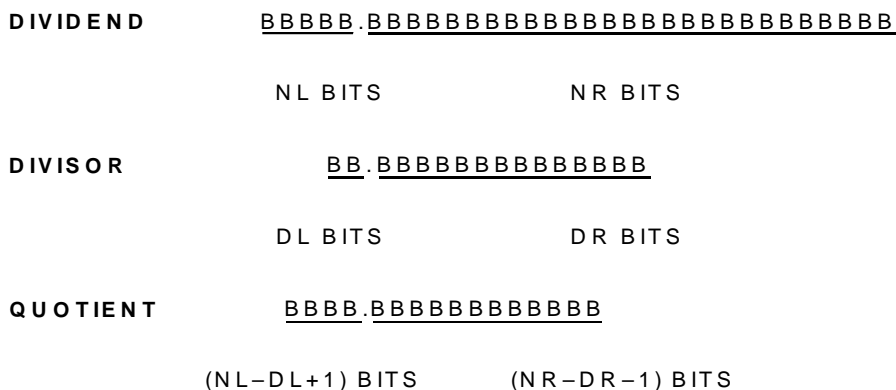


Figure 2-5. Quotient Format

Multiplier Accumulator (MAC)

The algorithm overflows if the result cannot be represented in the format of the quotient, as calculated above, or if the divisor is zero or less than the dividend in magnitude.

ALU Status

The ALU status bits in the `ASTAT` register are defined below. Complete information about the `ASTAT` register and specific bit mnemonics and positions is provided in the Program Control chapter.

Table 2-6. ALU Status Bits in the `ASTAT` Register

Flag	Name	Definition
AZ	Zero	Logical NOR of all the bits in the ALU result register. True if ALU output equals zero.
AN	Negative	Sign bit of the ALU result. True if the ALU output is negative.
AV	Overflow	Exclusive-OR of the carry outputs of the two most significant adder stages. True if the ALU overflows.
AC	Carry	Carry output from the most significant adder stage.
AS	Sign	Sign bit of the ALU X input port. Affected only by the ABS instruction.
AQ	Quotient	Quotient bit generated only by the DIVS and DIVQ instructions.

Multiplier Accumulator (MAC)

The multiplier/accumulator (MAC) provides high-speed multiplication, multiplication with cumulative addition, multiplication with cumulative subtraction, saturation and clear-to-zero functions. A feedback function allows part of the accumulator output to be directly used as one of the multiplicands on the next cycle.

MAC Structure

Figure 2-6 shows a block diagram of the multiplier/accumulator.

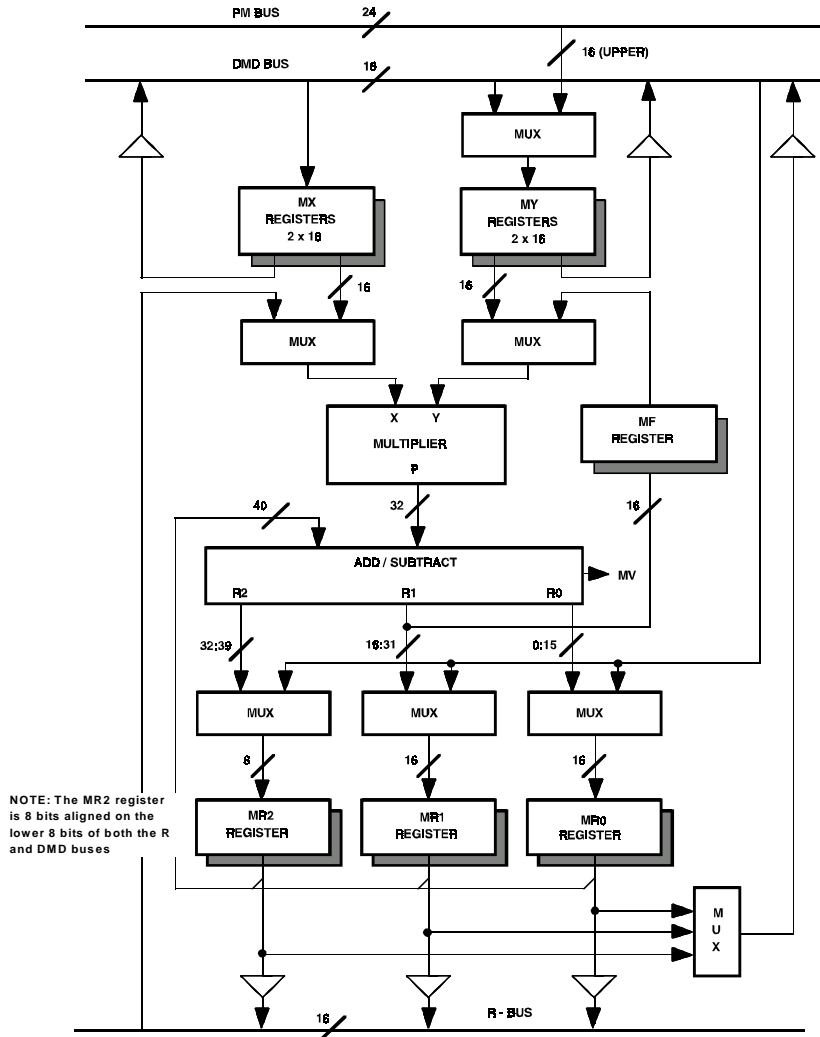


Figure 2-6. MAC Block Diagram

Multiplier Accumulator (MAC)

The multiplier has two 16-bit input ports, X and Y, and a 32-bit product output port, P. The 32-bit product is passed to a 40-bit adder/subtractor, which adds or subtracts the new product from the content of the multiplier result (MR) register or passes the new product directly to MR . The MR register is 40 bits wide. In this manual, we refer to the entire register as MR . The register actually consists of three smaller registers: $MR0$ and $MR1$ which are 16 bits wide and $MR2$ which is 8 bits wide.

The adder/subtractor is greater than 32 bits to allow for intermediate overflow in a series of multiply/accumulate operations. The multiply overflow (MV) status bit is set when the accumulator has overflowed beyond the 32-bit boundary; that is, when there are significant (non-sign) bits in the top nine bits of the MR register (based on twos-complement arithmetic).

The input/output registers of the MAC are similar to the ALU. The X input port can accept data from either the MX register file or from any register on the result (R) bus. The R bus connects the output registers of all the computational units, permitting them to be used as input operands directly. There are two registers in the MX register file, $MX0$ and $MX1$. These registers can be read and written from the DMD bus. The MX register file outputs are dual-ported so that one register can provide input to the multiplier while either one simultaneously drives the DMD bus.

The Y input port can accept data from either the MY register file or the MF register. The MY register file has two registers, $MY0$ and $MY1$; these registers can be read and written from the DMD bus and written from the PMD bus. The instruction set also provides for reading these registers over the PMD bus, but there is no direct connection; this operation uses the PMD-DMD bus exchange unit. The MY register file outputs are also dual-ported so that one register can provide input to the multiplier while either one simultaneously drives the DMD bus.

The output of the adder/subtractor goes to either the MF register or the MR register. The MF register is a feedback register which allows bits 16–31 of the result to be used directly as the multiplier Y input on a subsequent cycle. The 40-bit adder/subtractor register (MR) is divided into three sections: $MR2$, $MR1$, and $MR0$. Each of these registers can be loaded directly from the DMD bus and output to either the DMD bus or the R bus.

Any of the registers associated with the MAC can be both read and written in the same cycle. Registers are read at the beginning of the cycle and written at the end of the cycle. A register read, therefore, reads the value loaded at the end of a previous cycle. A new value written to a register cannot be read out until a subsequent cycle. This allows an input register to provide an operand to the MAC at the beginning of the cycle and be updated with the next operand from memory at the end of the same cycle. It also allows a result register to be stored in memory and updated with a new result in the same cycle. See “*Multifunction Instructions*” in the *ADSP-218x DSP Instruction Set Reference* for an illustration of this same-cycle read and write.

The MAC contains a duplicate bank of registers, shown in [Figure 2-6](#) behind the primary registers. There are actually two sets of MR , MF , MX , and MY register files. Only one bank is accessible at a time. The additional bank of registers can be activated for extremely fast context switching. A new task, such as an interrupt service routine, can be executed without transferring current states to storage.

The selection of the primary or alternate bank of registers is controlled by the `ena_sec_reg` and `dis_sec_reg` assembly instructions or by bit zero in the `MSTAT` register. The alternate bank of registers is activated by the `ena_sec_reg` instruction or by setting bit zero of `MSTAT` to a 1. The primary bank of registers is activated by executing the `dis_sec_reg` instruction or by clearing bit zero of `MSTAT`. Upon reset, the primary bank of registers is active by default.

Multiplier Accumulator (MAC)

The ADSP-218x processors also offer an *xop * xop* squaring operation. Both *xops* must be in the same register. This option allows single-cycle χ^2 and $\Sigma\chi^2$ instructions.

The data format selection field following the two operands specifies whether each respective operand is in Signed (S) or Unsigned (U) format. The data format selection field must be (UU), (SS), or (RND) only. There is no default; one of the data formats must be specified.

If RND (Round) is specified, the MAC multiplies the two source operands, rounds the result to the most significant 24 bits (or rounds bits 31-16 to 16 bits if there is no overflow from the multiply), and stores the result in the destination register. The two multiplication operands *xop* and *xop* are considered to be in twos complement format. Rounding can be biased or unbiased. [For more information, see “Rounding Mode” on page 2-30.](#)

MAC Operations

This section explains the functions of the MAC, its input formats and its handling of overflow and saturation.

Standard Functions

[Table 2-7](#) lists the functions performed by the MAC.

Table 2-7. Standard MAC Functions

Function	Description
MR = <i>xop * yop</i>	Multiply X and Y operands.
MR = <i>xop * xop</i>	Multiply X and X operands.
MR = MR + <i>xop * yop</i>	Multiply X and Y operands and add result to MR.

Table 2-7. Standard MAC Functions

Function	Description
$MR = MR - xop * yop$	Multiply X and Y operands and subtract result from MR.
$MR = 0$	Clear result (MR) to zero.

The ADSP-218x family provides two modes for the standard multiply/accumulate function: fractional mode for fractional numbers (1.15), and integer mode for integers (16.0).

Fractional mode is selected by default upon reset or by the `DIS M_MODE` instruction. Integer mode is selected by the `ENA M_MODE` instruction. These instructions set or clear bit 4 of `MSTAT`. This bit is set to 0 for fractional mode and 1 for integer mode. In either mode, the multiplier output `P` is fed into a 40-bit adder/subtractor, which adds or subtracts the new product with the current contents of the `MR` register to form the final 40-bit result `R`.

In the fractional mode, the 32-bit `P` output is format adjusted, that is, sign-extended and shifted one bit to the left before being added to `MR`. For example, bit 31 of `P` lines up with bit 32 of `MR` (which is bit 0 of `MR2`) and bit 0 of `P` lines up with bit 1 of `MR` (which is bit 1 of `MR0`). The LSB is zero-filled. The fractional multiplier result format is shown in [Figure 2-7](#).

Multiplier Accumulator (MAC)

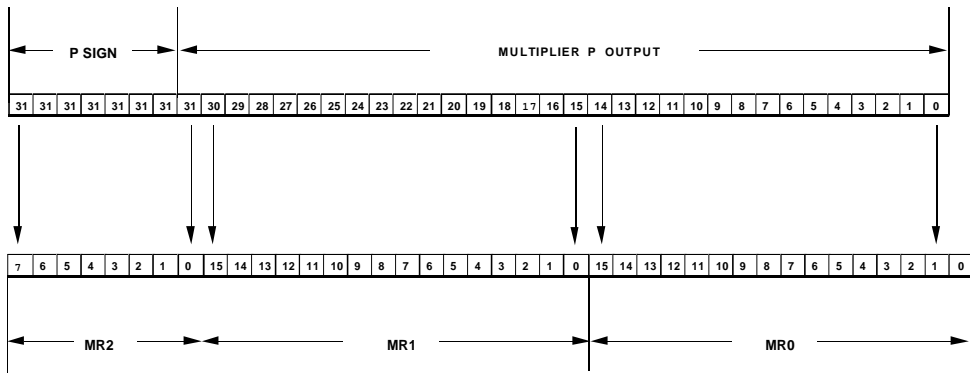


Figure 2-7. Fractional Multiplier Result Format

In the integer mode, the 32-bit P register is not shifted before being added to MR. [Figure 2-8](#) shows the integer-mode result placement.

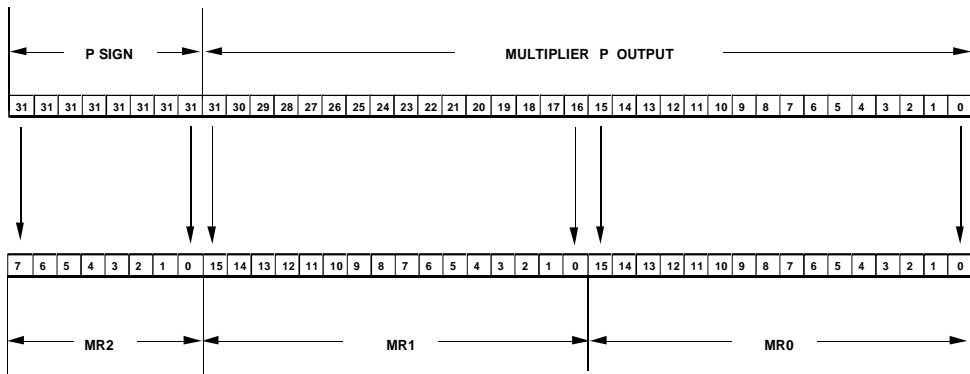


Figure 2-8. Integer Multiplier Results Format

Input Formats

To facilitate multiprecision multiplications, the multiplier accepts X and Y inputs represented in any combination of signed twos-complement format and unsigned format, as shown in [Table 2-8](#):

Table 2-8. X and Y Inputs

X Input		Y Input	Code Example
Signed	x	Signed	MR=MX0*MY0(SS)
Unsigned	x	Signed	MR=MX0*MY0(US)
Signed	x	Unsigned	MR=MX0*MY0(SU)
Unsigned	x	Unsigned	MR=MX0*MY0(UU)

The input formats are specified as part of the instruction. These are dynamically selectable each time the multiplier is used.

The (signed x signed) mode is used when multiplying two signed single precision numbers or the two upper portions of two signed multiprecision numbers.

The (unsigned x signed) and (signed x unsigned) modes are used when multiplying the upper portion of a signed multiprecision number with the lower portion of another or when multiplying a signed single precision number by an unsigned single precision number.

The (unsigned x unsigned) mode is used when multiplying unsigned single precision numbers or the non-upper portions of two signed multiprecision numbers.

Multiplier Accumulator (MAC)

MAC Input/Output Registers

Table 2-9 lists the sources for MAC input and output registers.

Table 2-9. Sources for MAC Input and Output Registers

Source for X Input Port	Source for Y Input Port	Destination for R Output Port
MX0, MX1	MY0, MY1	MR (MR2, MR1, MR0)
AR	MF	MF
MR0, MR1, MR2		
SR0, SR1		

MR Register Operation

As described, and shown on the block diagram, the MR register is divided into three sections: MR0 (bits 0-15), MR1 (bits 16-31), and MR2 (bits 32-39). Each of these registers can be loaded from the DMD bus and output to the R bus or the DMD bus.

The 8-bit MR2 register is tied to the lower 8 bits of these buses. When MR2 is output onto the DMD bus or the R bus, it is sign extended to form a 16-bit value. MR1 also has an automatic sign-extend capability. When MR1 is loaded from the DMD bus, every bit in MR2 will be set to the sign bit (MSB) of MR1, so that MR2 appears as an extension of MR1. To load the MR2 register with a value other than MR1's sign extension, you must load MR2 after MR1 has been loaded. Loading MR0 affects neither MR1 nor MR2; no sign extension occurs in MR0 loads.

MAC Overflow And Saturation

The adder/subtractor generates an overflow status signal (MV), which is loaded into the processor arithmetic status (ASTAT) every time a MAC operation is executed. The MV bit is set when the accumulator result, interpreted as a twos-complement number, crosses the 32-bit (MR1/MR2) boundary. That is, MV is set if the upper nine bits of MR are not all ones or all zeros.

The MR register has a saturation capability that sets MR to the maximum positive or negative value if an overflow or underflow has occurred. The saturation operation depends on the overflow status bit (MV) in the processor arithmetic status (ASTAT) and the MSB of the MR2 register.



The MF register cannot be saturated.

The MV flag is set/cleared after MAC operations only. When the MR0, MR1, or MR2 registers are loaded by Move instructions, the instruction MR = MR can be used to update the MV flag.

Table 2-10 summarizes the MR saturation operation.

Table 2-10. Effect of MAC Saturation Instruction

MV	MSB of MR2	MR contents after saturation
0	0 or 1	no change
1	0	00000000 0111111111111111 1111111111111111 <i>full-scale positive</i>
1	1	11111111 1000000000000000 0000000000000000 <i>full-scale negative</i>

Saturation in the MAC is an instruction rather than a mode as in the ALU. The saturation instruction is intended to be used at the completion of a string of multiplication/accumulations so that intermediate overflows do not cause the accumulator to saturate.

Multiplier Accumulator (MAC)

Overflowing beyond the MSB of MR2 should never be allowed. The true sign bit of the result is then irretrievably lost and saturation may not produce a correct value. It takes more than 255 overflows (MV type) to reach this state, however.

Rounding Mode

The accumulator has the capability for rounding the 40-bit result R at the boundary between bit 15 and bit 16. Rounding can be specified as part of the instruction code. The rounded output is directed to either MR or MF. When rounding is invoked with MF as the output register, register contents in MF represent the rounded 16-bit result. Similarly, when MR is selected as the output, MR1 contains the rounded 16-bit result; the rounding effect in MR1 affects MR2 as well and MR2 and MR1 represent the rounded 24-bit result.

The accumulator uses an unbiased rounding scheme. The conventional method of biased rounding is to add a 1 into bit position 15 of the adder chain. This method causes a net positive bias since the midway value (when MR0=0x8000) is always rounded upward. The accumulator eliminates this bias by forcing bit 16 in the result output to zero when it detects this midway point. This has the effect of rounding odd MR1 values upward and even MR1 values downward, yielding a zero large-sample bias assuming uniformly distributed values.

Using x to represent any bit pattern (not all zeros), here are two examples of rounding. The example in [Figure 2-9](#) shows a typical rounding operation for MR; these also apply for SR.

	...MR2..	MR1.....	MR0.....
Unrounded value:	→xxxxxxx		xxxxxxxx00100101		1xxxxxxxxxxxxxxxx
Add 1 and carry:	→.....			1.....
Rounded value:	→xxxxxxx		xxxxxxxx00100110		0xxxxxxxxxxxxxxxx

Figure 2-9. Typical Unbiased Multiplier Rounding Operation

The compensation to avoid net bias becomes visible when the lower 15 bits are all zero and bit 15 is one (the midpoint value) as shown in [Figure 2-10](#).

	...MR2..	MR1.....	MR0.....
Unrounded value: →	xxxxxxxx		xxxxxxxx01100110		1000000000000000
Add 1 and carry: →		1.....
MR bit 16=1: →	xxxxxxxx		xxxxxxxx01100111		0000000000000000
Rounded value: →	xxxxxxxx		xxxxxxxx01100110		0000000000000000

Figure 2-10. Avoiding Net Bias in Unbiased Multiplier Rounding Operation

Biased Rounding

The `BIASRND` bit in the `SPORT0` autobuffer control register enables biased rounding. When the `BIASRND` bit is cleared (`=0`), the `RND` option in multiplier instructions uses the normal unbiased rounding operation (as discussed in [“Rounding Mode” on page 2-30](#)). When the `BIASRND` bit is set to 1, the DSP uses biased rounding instead of unbiased rounding. When operating in biased rounding mode, all rounding operations with `MR0` set to `0x8000` round up, rather than only rounding odd `MR1` values up. For an example, see [Figure 2-11](#).

This mode only has an effect when the `MR0` register contains `0x8000`; all other rounding operations work normally. This mode allows more efficient implementation of bit-specified algorithms that use biased rounding, for example the GSM speech compression routines. Unbiased rounding is preferred for most algorithms.

Barrel Shifter

MR before RND	Biased RND result	Unbiased RND result
0x00 0000 8000	0x00 0001 0000	0x00 0000 0000
0x00 0001 8000	0x00 0002 0000	0x00 0002 0000
0x00 0000 8001	0x00 0001 0001	0x00 0001 0001
0x00 0001 8001	0x00 0002 0001	0x00 0002 0001
0x00 0000 7FFF	0x00 0000 FFFF	0x00 0000 FFFF
0x00 0001 7FFF	0x00 0001 FFFF	0x00 0001 FFFF

Figure 2-11. Bias Rounding in Multiplier Operation

Barrel Shifter

The barrel shifter (shifter) provides a complete set of shifting functions for 16-bit inputs, yielding a 32-bit output. These include arithmetic shift, logical shift and normalization. The shifter also performs derivation of exponent and derivation of common exponent for an entire block of numbers. These basic functions can be combined to efficiently implement any degree of numerical format control, including full floating-point representation.

Shifter Structure

Figure 2-12 shows a block diagram of the shifter. The shifter can be divided into the following components: the shifter array, the OR/PASS logic, the exponent detector, and the exponent compare logic.

The shifter array is a 16x32 barrel shifter. It accepts a 16-bit input and can place it anywhere in the 32-bit output field, from off-scale right to off-scale left, in a single cycle. This gives 49 possible placements within the 32-bit field. The placement of the 16 input bits is determined by a control code (C) and a HI/LO reference signal.

The shifter array and its associated logic are surrounded by a set of registers. The shifter input (SI) register provides input to the shifter array and the exponent detector. The SI register is 16 bits wide and is readable and writable from the DMD bus. The shifter array and the exponent detector also take as inputs AR, SR or MR via the R bus. The shifter result (SR) register is 32 bits wide and is divided into two 16-bit sections, SR0 and SR1. The SR0 and SR1 registers can be loaded from the DMD bus and output to either the DMD bus or the R bus. The SR register is also fed back to the OR/PASS logic to allow double-precision shift operations.

The SE register (“shifter exponent”) is 8 bits wide and holds the exponent during the normalize and denormalize operations. The SE register is loadable and readable from the lower 8 bits of the DMD bus. It is a twos-complement, 8.0 value.

The SB register (“shifter block”) is important in block floating-point operations where it holds the block exponent value, that is, the value by which the block values must be shifted to normalize the largest value. The SB register is 5 bits wide and holds the most recent block exponent value. The SB register is loadable and readable from the lower 5 bits of the DMD bus. It is a twos-complement, 5.0 value.

Whenever the SE or SB registers are output onto the DMD bus, they are sign-extended to form a 16-bit value.

Barrel Shifter

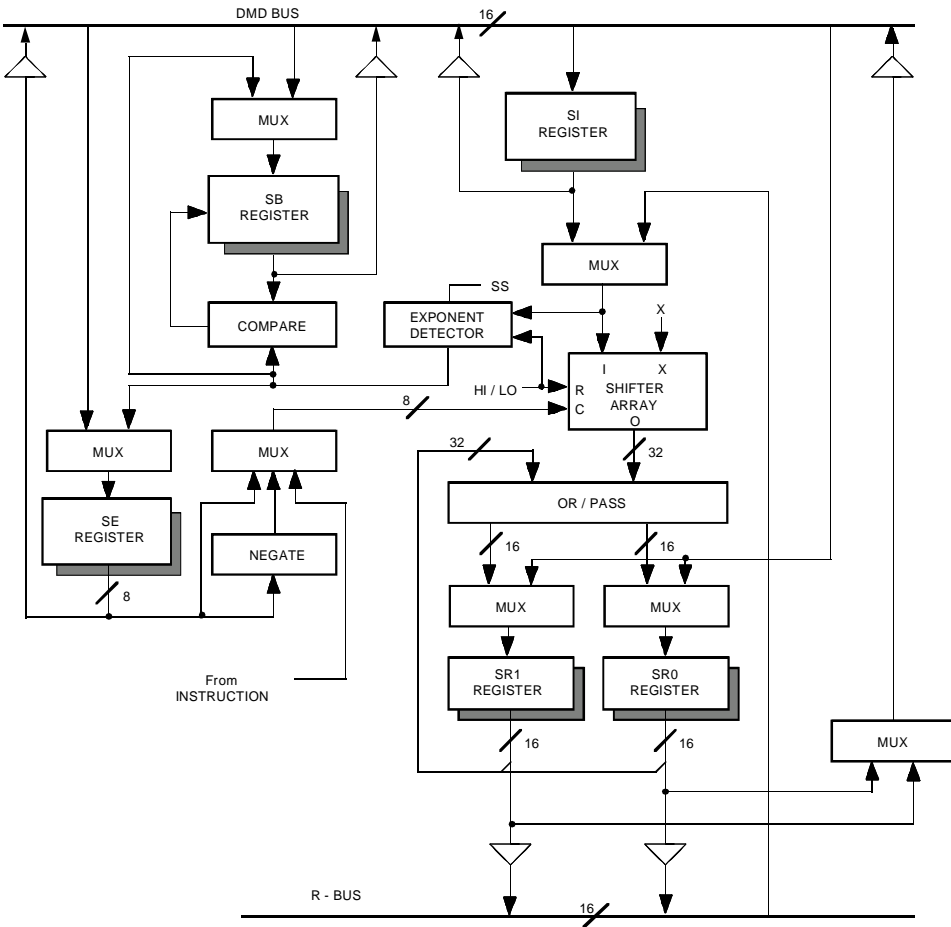


Figure 2-12. Shifter Block Diagram

Any of the SI, SE or SR registers can be read and written in the same cycle. Registers are read at the beginning of the cycle and written at the end of the cycle. All register reads, therefore, read values loaded at the end of a previous cycle. A new value written to a register cannot be read out until a subsequent cycle. This allows an input register to provide an operand to the shifter at the beginning of the cycle and be updated with the next operand at the end of the same cycle. It also allows a result register to be stored in memory and updated with a new result in the same cycle. See “*Multifunction Instructions*” in the *ADSP-218x DSP Instruction Set Reference* for an illustration of this same-cycle read and write.

The shifter contains a duplicate bank of registers behind the primary registers (see [Figure 2-12](#)). There are actually two sets of SE, SB, SI, SR1, and SR0 registers. Only one bank is accessible at a time. The additional bank of registers can be activated for extremely fast context switching. A new task, such as an interrupt service routine, can then be executed without transferring current states to storage.

The selection of the primary or alternate bank of registers is controlled by the `ena_sec_reg` and `dis_sec_reg` assembly instructions or by bit zero in the `MSTAT` register. The alternate bank of registers is activated by the `ena_sec_reg` instruction or by setting bit zero of `MSTAT` to a 1. The primary bank of registers is activated by executing the `dis_sec_reg` instruction or by clearing bit zero of `MSTAT`. Upon reset, the primary bank of registers is active by default.

The shifting of the input is determined by a control code (C) and a HI/LO reference signal. The control code is an 8-bit signed value which indicates the direction and number of places the input is to be shifted. Positive codes indicate a left shift (upshift) and negative codes indicate a right shift (downshift). The control code can come from three sources: the content of the shifter exponent (SE) register, the negated content of the SE register or an immediate value from the instruction.

Barrel Shifter

The HI/LO signal determines the reference point for the shifting. In the HI state, all shifts are referenced to SR1 (the upper half of the output field), and in the LO state, all shifts are referenced to SR0 (the lower half). The HI/LO reference feature is useful when shifting 32-bit values since it allows both halves of the number to be shifted with the same control code. The HI/LO reference signal is selectable each time the shifter is used.

The shifter fills any bits to the right of the input value in the output field with zeros, and bits to the left are filled with the extension bit (X). The extension bit can be fed by three possible sources depending on the instruction being performed. The three sources are the MSB of the input, the AC bit from the arithmetic status register (ASTAT) or a zero.

[Figure 2-13 on page 2-37](#) shows the shifter array output as a function of the control code and HI/LO signal.

The OR/PASS logic allows the shifted sections of a multiprecision number to be combined into a single quantity. In some shifter instructions, the shifted output may be logically ORed with the contents of the SR register; the shifter array is bitwise ORed with the current contents of the SR register before being loaded there. When the [SR OR] option is not used in the instruction, the shifter array output is passed through and loaded into the shifter result (SR) register unmodified.

The exponent detector derives an exponent for the shifter input value. The exponent detector operates in one of three ways, which determine how the input value is interpreted. In the HI state, the input is interpreted as a single precision number or the upper half of a double precision number. The exponent detector determines the number of leading sign bits and produces a code that indicates how many places the input must be up-shifted to eliminate all but one of the sign bits. The code is negative so that it can become the effective exponent for the mantissa formed by removing the redundant sign bits.

Control Code		Shifter Array Output		LEGEND:	
HI Reference	LO Reference			ABCDEFGHIJKLMNPR represents the 16-bit input pattern	X stands for the extension bit
+16 to +127	+32 to +127	00000000	00000000	00000000	00000000
+15	+31	R0000000	00000000	00000000	00000000
+14	+30	PR000000	00000000	00000000	00000000
+13	+29	NPR00000	00000000	00000000	00000000
+12	+28	MNPR0000	00000000	00000000	00000000
+11	+27	LMNPR000	00000000	00000000	00000000
+10	+26	KLMNPR00	00000000	00000000	00000000
+9	+25	JKLMNPR0	00000000	00000000	00000000
+8	+24	IJKLMNPR	00000000	00000000	00000000
+7	+23	HIJKLMNP	R0000000	00000000	00000000
+6	+22	GHIJKLMN	PRO00000	00000000	00000000
+5	+21	FGHIJKLM	NPR00000	00000000	00000000
+4	+20	EFGHIJKL	MNPR0000	00000000	00000000
+3	+19	DEFGHIJK	LMNPR000	00000000	00000000
+2	+18	CDEFGHIJ	KLMNPR00	00000000	00000000
+1	+17	BCDEFGHI	JKLMNPR0	00000000	00000000
0	+16	ABCDEFGH	IJKLMNPR	00000000	00000000
-1	+15	XABCDEFG	HIJKLMNP	R0000000	00000000
-2	+14	XXABCDEF	GHIJKLMN	PRO00000	00000000
-3	+13	XXXABCDE	FGHIJKLM	NPR00000	00000000
-4	+12	XXXXABCD	EFGHIJKL	MNPR0000	00000000
-5	+11	XXXXXABC	DEFGHIJK	LMNPR000	00000000
-6	+10	XXXXXXAB	CDEFGHIJ	KLMNPR00	00000000
-7	+9	XXXXXXXXA	BCDEFGHI	JKLMNPR0	00000000
-8	+8	XXXXXXXXX	ABCDEFGH	IJKLMNPR	00000000
-9	+7	XXXXXXXXX	XABCDEFG	HIJKLMNP	R0000000
-10	+6	XXXXXXXXX	XXABCDEF	GHIJKLMN	PRO00000
-11	+5	XXXXXXXXX	XXXABCDE	FGHIJKLM	NPR00000
-12	+4	XXXXXXXXX	XXXXABCD	EFGHIJKL	MNPR0000
-13	+3	XXXXXXXXX	XXXXXABC	DEFGHIJK	LMNPR000
-14	+2	XXXXXXXXX	XXXXXXAB	CDEFGHIJ	KLMNPR00
-15	+1	XXXXXXXXX	XXXXXXXXA	BCDEFGHI	JKLMNPR0
-16	0	XXXXXXXXX	XXXXXXXXX	ABCDEFGH	IJKLMNPR
-17	-1	XXXXXXXXX	XXXXXXXXX	XABCDEFG	HIJKLMNP
-18	-2	XXXXXXXXX	XXXXXXXXX	XXABCDEF	GHIJKLMN
-19	-3	XXXXXXXXX	XXXXXXXXX	XXXABCDE	FGHIJKLM
-20	-4	XXXXXXXXX	XXXXXXXXX	XXXXABCD	EFGHIJKL
-21	-5	XXXXXXXXX	XXXXXXXXX	XXXXXABC	DEFGHIJK
-22	-6	XXXXXXXXX	XXXXXXXXX	XXXXXXAB	CDEFGHIJ
-23	-7	XXXXXXXXX	XXXXXXXXX	XXXXXXA	BCDEFGHI
-24	-8	XXXXXXXXX	XXXXXXXXX	XXXXXXXXX	ABCDEFGH
-25	-9	XXXXXXXXX	XXXXXXXXX	XXXXXXXXX	XABCDEFG
-26	-10	XXXXXXXXX	XXXXXXXXX	XXXXXXXXX	XXABCDEF
-27	-11	XXXXXXXXX	XXXXXXXXX	XXXXXXXXX	XXXABCDE
-28	-12	XXXXXXXXX	XXXXXXXXX	XXXXXXXXX	XXXXABCD
-29	-13	XXXXXXXXX	XXXXXXXXX	XXXXXXXXX	XXXXXABC
-30	-14	XXXXXXXXX	XXXXXXXXX	XXXXXXXXX	XXXXXXAB
-31	-15	XXXXXXXXX	XXXXXXXXX	XXXXXXXXX	XXXXXXA
-32 to -128	-16 to -128	XXXXXXXXX	XXXXXXXXX	XXXXXXXXX	XXXXXXXXX

Figure 2-13. Shifter Array Output

Barrel Shifter

In the HI-extend state (HIX), the input is interpreted as the result of an add or subtract performed in the ALU which may have overflowed. Therefore the exponent detector takes the arithmetic overflow (AV) status into consideration. If AV is set, then a +1 exponent is output to indicate an extra bit is needed in the normalized mantissa (the ALU Carry bit); if AV is not set, then HI-extend functions exactly like the HI state. When performing a derive exponent function in HI or HI-extend modes, the exponent detector also outputs a shifter sign (SS) bit which is loaded into the arithmetic status register (ASTAT). The sign bit is the same as the MSB of the shifter input except when AV is set; when AV is set in HI-extend state, the MSB is inverted to restore the sign bit of the overflowed value.

In the L0 state, the input is interpreted as the lower half of a double precision number. In the L0 state, the exponent detector interprets the SS bit in the arithmetic status register (ASTAT) as the sign bit of the number. The SE register is loaded with the output of the exponent detector only if SE contains -15. This occurs only when the upper half—which must be processed first—contained all sign bits. The exponent detector output is also offset by -16 to account for the fact that the input is actually the lower half of a 32-bit value. [Figure 2-14](#) gives the exponent detector characteristics for all three modes.

The exponent compare logic is used to find the largest exponent value in an array of shifter input values. The exponent compare logic in conjunction with the exponent detector derives a block exponent. The comparator compares the exponent value derived by the exponent detector with the value stored in the shifter block exponent (SB) register and updates the SB register only when the derived exponent value is larger than the value in SB register. See the examples shown in the following sections.

HI Mode

Shifter Array Input	Output
SNDDDDDD DDDDDDDD	0
SSNDDDDD DDDDDDDD	-1
SSSNDDDD DDDDDDDD	-2
SSSSNDDD DDDDDDDD	-3
SSSSSNDD DDDDDDDD	-4
SSSSSSND DDDDDDDD	-5
SSSSSSSN DDDDDDDD	-6
SSSSSSSS NDDDDDDD	-7
SSSSSSSS SNDDDDDD	-8
SSSSSSSS SSNDDDDD	-9
SSSSSSSS SSSNDDDD	-10
SSSSSSSS SSSSNDDD	-11
SSSSSSSS SSSSNDD	-12
SSSSSSSS SSSSSND	-13
SSSSSSSS SSSSSSN	-14
SSSSSSSS SSSSSSS	-15

HIX Mode

AV	Shifter Array Input	Output
1	DDDDDDDD DDDDDDDD	+1
0	SNDDDDDD DDDDDDDD	0
0	SSNDDDDD DDDDDDDD	-1
0	SSSNDDDD DDDDDDDD	-2
0	SSSSNDDD DDDDDDDD	-3
0	SSSSSNDD DDDDDDDD	-4
0	SSSSSSND DDDDDDDD	-5
0	SSSSSSSN DDDDDDDD	-6
0	SSSSSSSS NDDDDDDD	-7
0	SSSSSSSS SNDDDDDD	-8
0	SSSSSSSS SSNDDDDD	-9
0	SSSSSSSS SSSNDDDD	-10
0	SSSSSSSS SSSSNDDD	-11
0	SSSSSSSS SSSSNDD	-12
0	SSSSSSSS SSSSSND	-13
0	SSSSSSSS SSSSSSN	-14
0	SSSSSSSS SSSSSSS	-15

LO Mode

SS	Shifter Array Input	Output
S	NDDDDDDD DDDDDDDD	-15
S	SNDDDDDD DDDDDDDD	-16
S	SSNDDDDD DDDDDDDD	-17
S	SSSNDDDD DDDDDDDD	-18
S	SSSSNDDD DDDDDDDD	-19
S	SSSSSNDD DDDDDDDD	-20
S	SSSSSSND DDDDDDDD	-21
S	SSSSSSSN DDDDDDDD	-22
S	SSSSSSSS NDDDDDDD	-23
S	SSSSSSSS SNDDDDDD	-24
S	SSSSSSSS SSNDDDDD	-25
S	SSSSSSSS SSSNDDDD	-26
S	SSSSSSSS SSSSNDDD	-27
S	SSSSSSSS SSSSNDD	-28
S	SSSSSSSS SSSSSND	-29
S	SSSSSSSS SSSSSSN	-30
S	SSSSSSSS SSSSSSS	-31

LEGEND
S = Sign bit
N = Non-sign bit
D = Don't care bit

Figure 2-14. Exponent Detector Characteristics

Shifter Operations

The shifter performs the following functions (instruction mnemonics shown in parentheses):

- Arithmetic Shift (ASHIFT)
- Logical Shift (LSHIFT)
- Normalize (NORM)
- Derive Exponent (EXP)
- Block Exponent Adjust (EXPADJ)

These basic shifter instructions can be used in a variety of ways, depending on the underlying arithmetic requirements. The following sections present single and multiple precision examples for these functions:

- Derivation of a Block Exponent
- Immediate Shifts
- Denormalization
- Normalization

The shift functions (arithmetic shift, logical shift, and normalize) can be optionally specified with [SR OR] and HI/LO modes to facilitate multiprecision operations. [SR OR] logically ORs the shift result with the current contents of SR. This option is used to join two 16-bit quantities into a 32-bit value in SR. When [SR OR] is not used, the shift value is passed through to SR directly. The HI and LO modifiers reference the shift to the upper or lower half of the 32-bit SR register. These shift functions take inputs from either the SI register or any other result register and load the 32-bit shifted result into the SR register.

Shifter Input/Output Registers

Table 2-11 shows the sources of shifter input and output.

Table 2-11. Shifter Input and Output

Source for Shifter Input	Destination for Shifter Output
SI	SR (SR0, SR1)
AR	
MR0, MR1, MR2	
SR0, SR1	

Derive Block Exponent

The EXPADJ instruction detects the exponent of the number largest in magnitude in an array of numbers. The steps for a typical block exponent derivation are as follows:

1. **Load SB with -16.** The SB register contains the exponent for the entire block. The possible values at the conclusion of a series of EXPADJ operations range from -15 to 0. The exponent compare logic updates the SB register if the new value is greater than the current value. Loading the register with -16 initializes it to a value certain to be less than any actual exponents detected.
2. **Process the first array element, as follows:**

```

Array(1) =      11110101 10110001
Exponent =      -3
              -3 > SB (-16)
SB gets        -3
    
```

Barrel Shifter

3. **Process next array element**, as follows:

Array(2)=	00000001 01110110
Exponent =	-6
	-6 < -3
SB remains	-3

4. **Continue processing array elements.**

When and if an array element is found whose exponent is greater than SB, that value is loaded into SB. When all array elements have been processed, the SB register contains the exponent of the largest number in the entire block. No normalization is performed. EXPADJ is purely an inspection operation. The value in SB could be transferred to SE and used to normalize the block on the next pass through the shifter. Or, SB could be associated with that data for subsequent interpretation.

Immediate Shifts

An immediate shift simply shifts the input bit pattern to the right (downshift) or left (upshift) by a given number of bits. Immediate shift instructions use the data value in the instruction itself to control the amount and direction of the shifting operation. (See the *ADSP-218x DSP Instruction Set Reference* for examples of this instruction.) The data value controlling the shift is an 8-bit signed number. The SE register is not used or changed by an immediate shift.

The following example shows the input value downshifted relative to the upper half of SR (SR1). This is the (HI) version of the shift:

```
SI=0xB6A3;  
SR=LSHIFT SI BY -5 (HI);
```

Input:	10110110 10100011
Shift value:	-5

SR:	00000101 10110101 00011000 000000
-----	-----------------------------------

Here is the same input value shifted in the other direction, referenced to the lower half (LO) of SR:

```
SI=0xB6A3;
SR=LSHIFT SI BY 5 (LO);
```

```
Input:          10110110 10100011
Shift value:    +5
```

```
SR:            00000000 00010110 11010100 01100000
```

In addition to the direction of the shifting operation, the shift may be either arithmetic (ASHIFT) or logical (LSHIFT). For example, the following shows a logical shift, relative to the upper half of SR (HI):

```
SI=0xB6A3;
SR=LSHIFT SI BY -5 (HI);
```

```
Input:          10110110 10100011
Shift value:    -5
```

```
SR:            00000101 10110101 00011000 00000000
```

This example shows an arithmetic shift of the same input and shift code:

```
SI=0xB6A3;
SR=ASHIFT SI BY -5 (HI);
```

```
Input:          10110110 10100011
Shift value:    -5
```

```
SR:            11111101 10110101 00011000 00000000
```

Barrel Shifter

Denormalize

Denormalizing refers to shifting a number according to a predefined exponent. The operation is effectively a floating-point to fixed-point conversion.

Denormalizing requires a sequence of operations. First, the SE register must contain the exponent value. This value may be explicitly loaded or may be the result of some previous operation. Next the shift itself is performed, taking its shift value from the SE register, not from an immediate data value.

Two examples of denormalizing a double-precision number are given below. The first shows a denormalization in which the upper half of the number is shifted first, followed by the lower half. Since computations may produce output in either order, the second example shows the same operation in the other order, i.e. lower half first.

Always select the arithmetic shift for the higher half (HI) of the twos-complement input (or logical for unsigned). Likewise, the first half processed does not use the [SR OR] option.

Modifier = HI, No [SR OR], Shift operation = Arithmetic, SE = -3

First Input: 10110110 10100011 (upper half of desired result)

SR: 11110110 11010100 01100000 00000000

Now the lower half is processed. Always select a logical shift for the lower half of the input. Likewise, the second half processed must use the [SR OR] option to avoid overwriting the previous half of the output value.

Modifier = LO, [SR OR], Shift operation = Logical, SE = -3

Second Input: 01110110 01011101 (lower half of desired result)

SR: 11110110 11010100 01101110 11001011

Here is the same input processed in the reverse order. The higher half is always arithmetically shifted and the lower half is logically shifted. The first input is passed straight through to SR, but the second half is ORed to create a double-precision value in SR.

Modifier = LO, No [SR OR], Shift operation = Logical, SE = -3

First Input: 01110110 01011101 (lower half of desired result)

SR: 00000000 00000000 00001110 11001011

Modifier = HI, [SR OR], Shift operation = Arithmetic, SE = -3

Second Input: 10110110 10100011 (upper half of desired result)

SR: 11110110 11010100 01101110 11001011

Normalize

Numbers with redundant sign bits require normalizing. Normalizing a number is the process of shifting a twos-complement number within a field so that the rightmost sign bit lines up with the MSB position of the field and recording how many places the number was shifted. The operation can be thought of as a fixed-point to floating-point conversion, generating an exponent and a mantissa.

Normalizing is a two-stage process. The first stage derives the exponent. The second stage does the actual shifting. The first stage uses the EXP instruction which detects the exponent value and loads it into the SE register. This instruction (EXP) recognizes a (HI) and (LO) modifier. The second stage uses the NORM instruction. The NORM instruction recognizes (HI) and (LO) and also has the [SR OR] option. The NORM instruction uses the negated value of the SE register as its shift control code. The negated value is used so that the shift is made in the correct direction.

Barrel Shifter

Here is a normalization example for a single precision input:

SE=EXP AR (HI);

Detects Exponent With Modifier = HI

Input: 11110110 11010100

SE set to: -3

Normalize, with modifier = HI Shift driven by value in SE

Input: 11110110 11010100

SR: 10110110 10100000 00000000 00000000

For a single precision input, the normalize operation can use either the (HI) or (LO) modifier, depending on whether you want the result in SR1 or SR0, respectively.

Double precision values follow the same general scheme. The first stage detects the exponent and the second stage normalizes the two halves of the input. For double precision, however, there are two operations in each stage.

For the first stage, the upper half of the input must be operated on first. This first exponent derivation loads the exponent value into SE. The second exponent derivation, operating on the lower half of the number will not alter the SE register unless SE = -15. This happens only when the first half contained all sign bits. In this case, the second operation will load a value into SE. (See [Figure 2-14 on page 2-39](#)) This value is used to control both parts of the normalization that follows.

For the second stage, now that SE contains the correct exponent value, the order of operations is immaterial. The first half (whether HI or LO) is normalized without the [SR OR] and the second half is normalized with [SR OR] to create one double-precision value in SR. The (HI) and (LO) modifiers identify which half is being processed.

Here is a complete example of a typical double precision normalization.

1. *Detect Exponent, Modifier = HI*

First Input: 11110110 11010100 (Must be upper half)

SE set to: -3

2. *Detect Exponent, Modifier = LO*

Second Input: 01101110 11001011

SE unchanged, still -3

3. *Normalize, Modifier = HI, No [SR OR], SE = -3*

First Input: 11110110 11010100

SR: 10110110 10100000 00000000 00000000

4. *Normalize, Modifier = LO, [SR OR], SE = -3*

Second Input: 01101110 11001011

SR: 10110110 10100011 01110110 01011000

If the upper half of the input contains all sign bits, the SE register value is determined by the second derive exponent operation as shown in the following example.

1. *Detect Exponent, Modifier = HI*

First Input: 11111111 11111111 (Must be upper half)

SE set to: -15

2. *Detect Exponent, Modifier = LO*

Second Input: 11110110 11010100

SE now set to: -19

Barrel Shifter

3. *Normalize, Modifier = HI, No [SR OR], SE = -19 (negated)*

First Input: 11111111 11111111

SR: 00000000 00000000 00000000 00000000

All values of SE less than -15 (resulting in a shift of +16 or more) upshift the input completely off scale.

4. *Normalize, Modifier = LO, [SR OR], SE = -19 (negated)*

Second Input: 11110110 11010100

SR: 10110110 10100000 00000000 00000000

There is one additional normalization situation, requiring the *HI*-extended (*HIX*) state. This is specifically when normalizing ALU results (*AR*) that may have overflowed. This operation reads the arithmetic status word (*ASTAT*) overflow bit (*AV*) and the carry bit (*AC*) in conjunction with the value in *AR*. *AV* is set (1) if an overflow has occurred. *AC* contains the true sign of the twos-complement value.

For example, given these conditions:

AR = 11111010 00110010

AV = 1, indicating overflow

AC = 0, the true sign bit of this value

1. *Detect Exponent, Modifier = HIX*

SE gets set to +1

2. *Normalize, Modifier = HI, SE = 1*

AR = 11111010 00110010

SR = 01111101 00011001

The *AC* bit is supplied as the sign bit, shown in bold above.

The HIX operation executes properly whether or not there has actually been an overflow. Consider this example:

```
AR =      11100011 01011011
AV =      0, indicating no overflow
AC =      0, not meaningful if AV = 0
```

1. Detect Exponent, Modifier = HIX

SE set to -2

2. Normalize, Modifier = HI, SE = -2

```
AR =      11100011 01011011
SR =      10001101 01101000 00000000 00000000
```

The AC bit is not used as the sign bit.

A brief examination of [Figure 2-13 on page 2-37](#) shows that the HIX mode is identical to the HI mode when AV is not set. When the NORM, LO operation is done, the extension bit is zero; when the NORM, HI operation is done, the extension bit is AC.

Barrel Shifter