

6

5

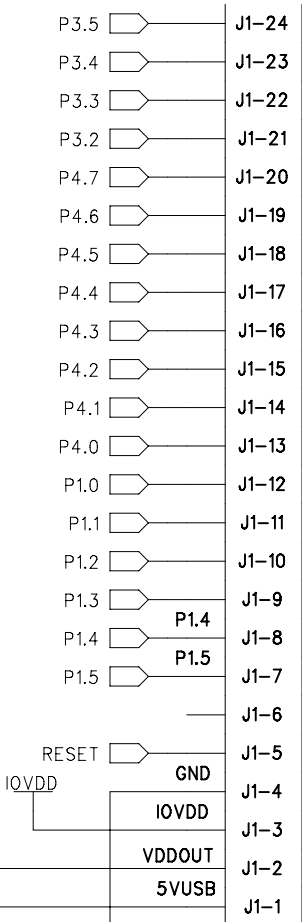
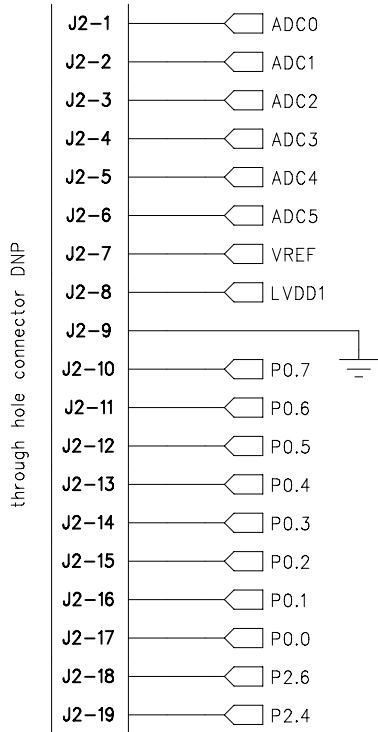
4

3

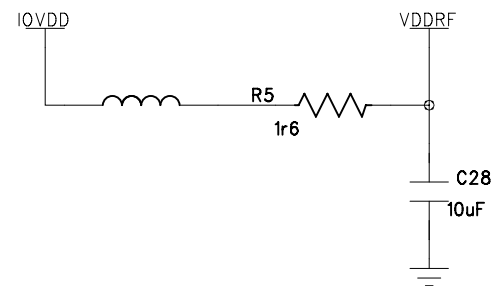
2

1

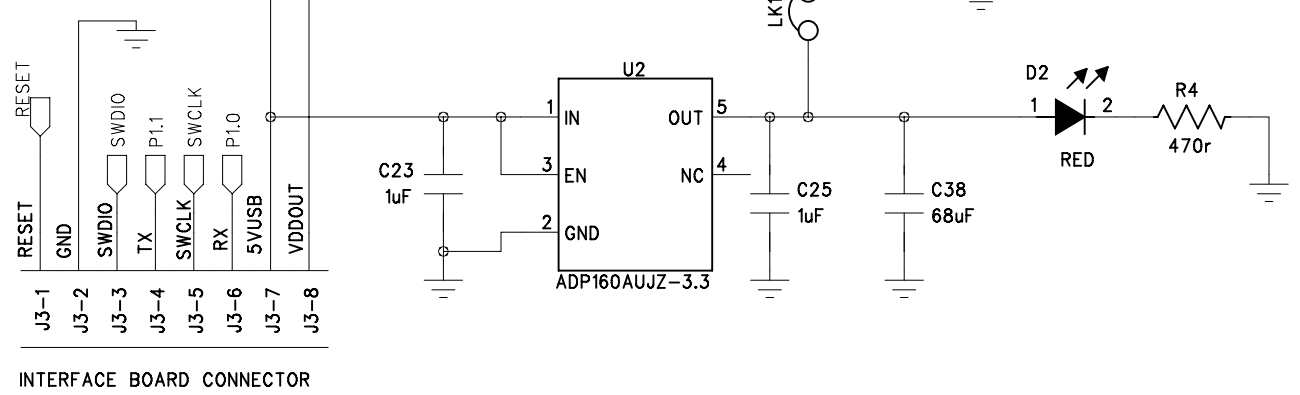
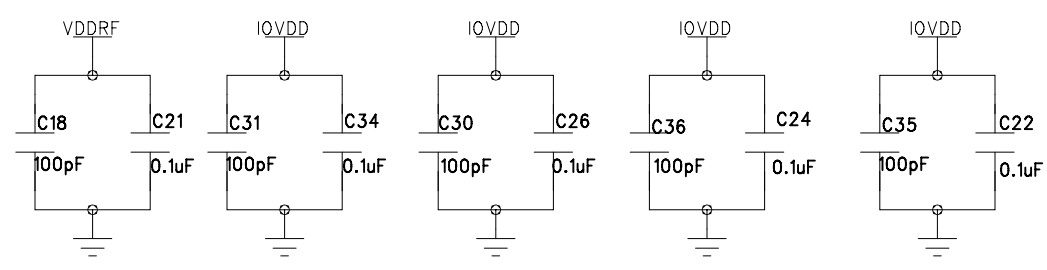
REVISION RECORD			
LTR	ECO NO:	APPROVED:	DATE:



through hole connector DNP



ADuCRF101 DECOUPLING CAPS:



INTERFACE BOARD CONNECTOR

DRAWN: Ravi Tandon	DATED: Sept' 11
CHECKED:	DATED:
QUALITY CONTROL:	DATED:
RELEASED:	DATED:

COMPANY: Analog Devices Inc.			
TITLE: ADuCRF101 MINI BOARD			
CODE:	SIZE:	DRAWING NO: EVAL-ADuCRF101	REV: C
SCALE:			SHEET: 2 OF 3

D

C

B

A

D

C

B

A

6

5

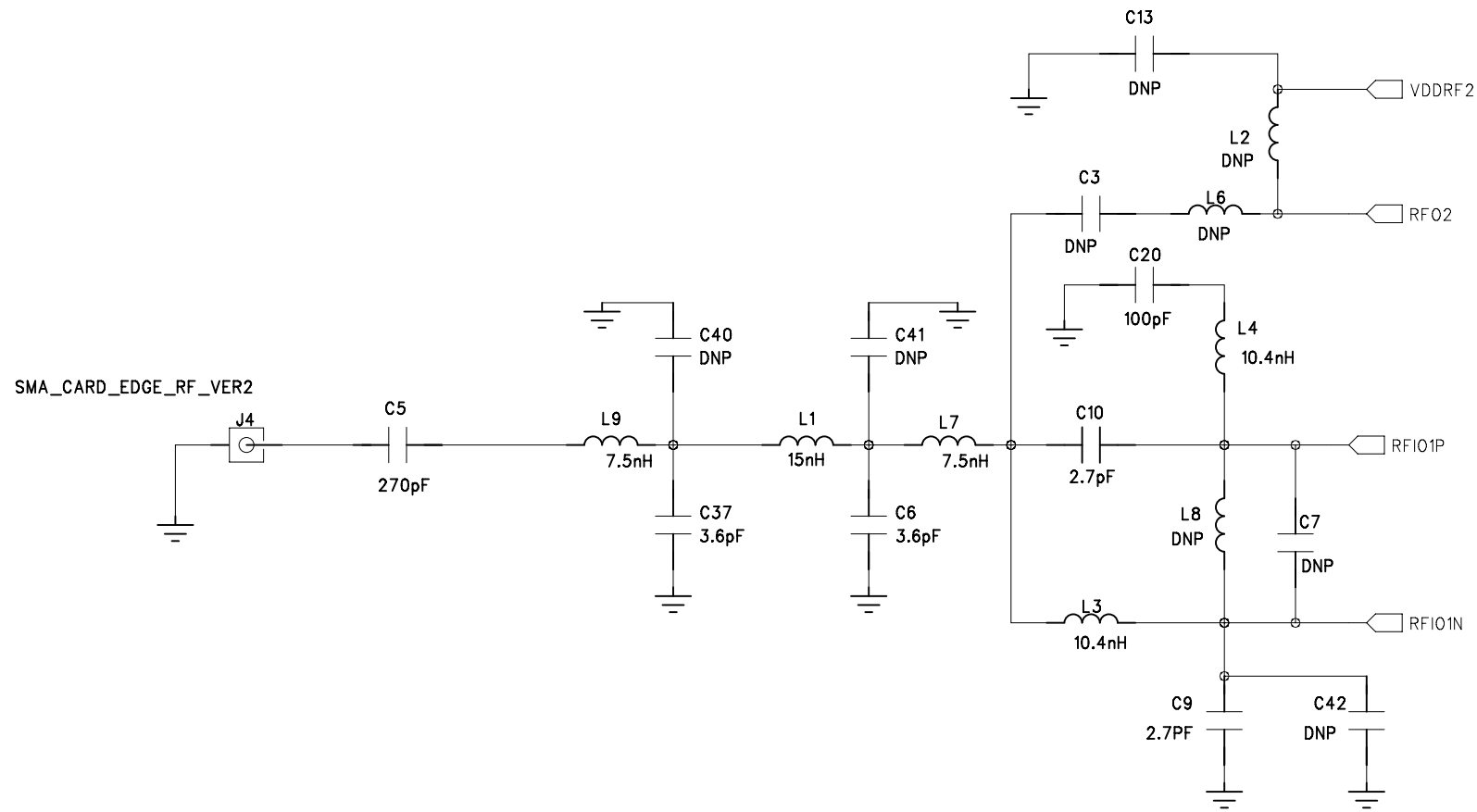
4

3

2

1

REVISION RECORD			
LTR	ECO NO:	APPROVED:	DATE:



D

D

C

C

B

B

A

A

COMPANY:				Analog Devices Inc.			
TITLE:				ADuCRF101 MINI BOARD			
CODE:	SIZE:	DRAWING NO:		REV:			
		EVAL-ADuCRF101		C			
SCALE:				SHEET: 3 OF 3			

DRAWN:	DATED:
Ravi Dandon	Sept '11
CHECKED:	DATED:
QUALITY CONTROL:	DATED:
RELEASED:	DATED: